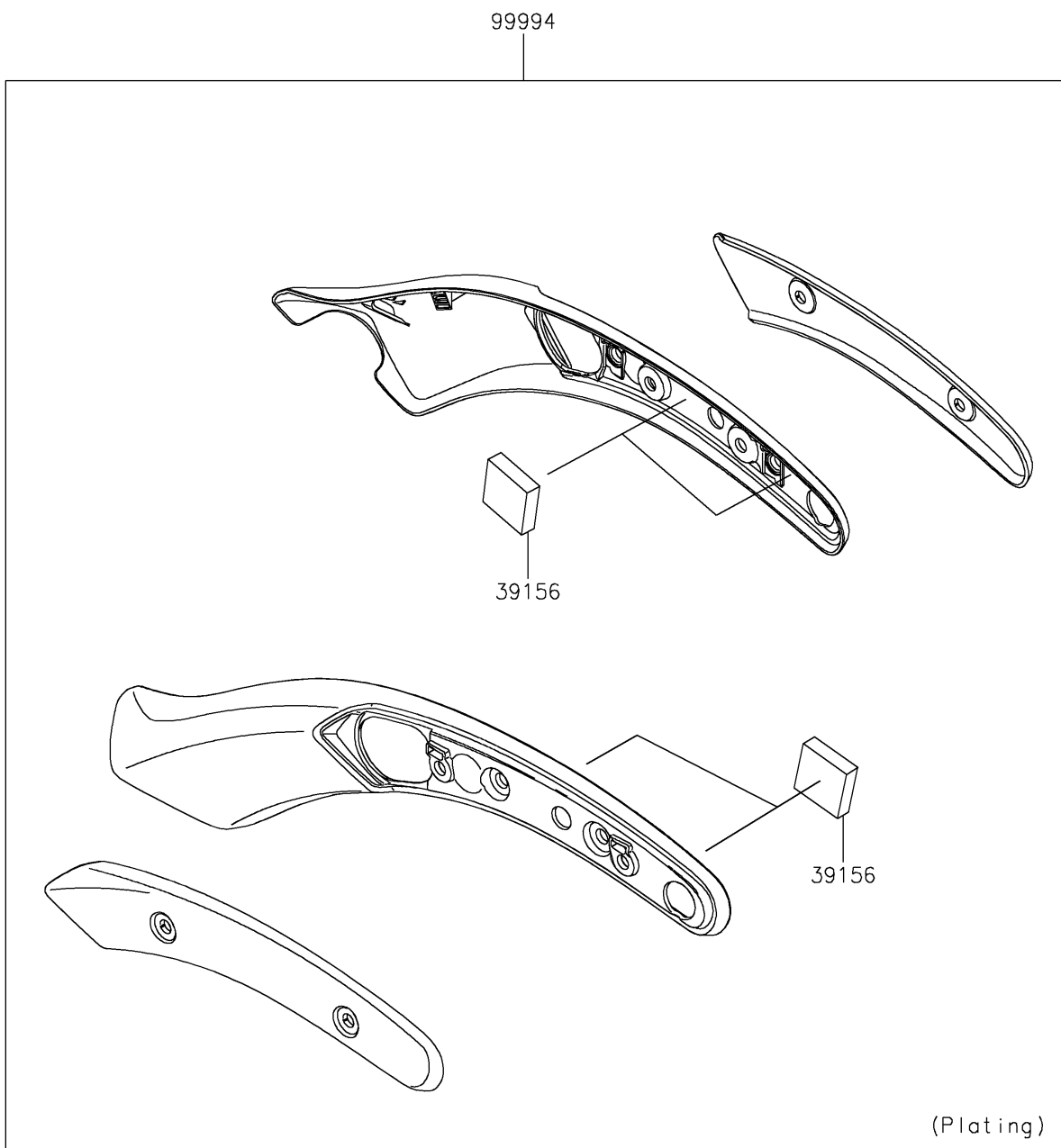


2024 VULCAN® S

PARTS DIAGRAM

Accessory(Fender Strut Cover)

F2910J



2024 VULCAN® S

PARTS LIST

Accessory(Fender Strut Cover)



ITEM NAME	PART NUMBER	QUANTITY
-----------	-------------	----------
