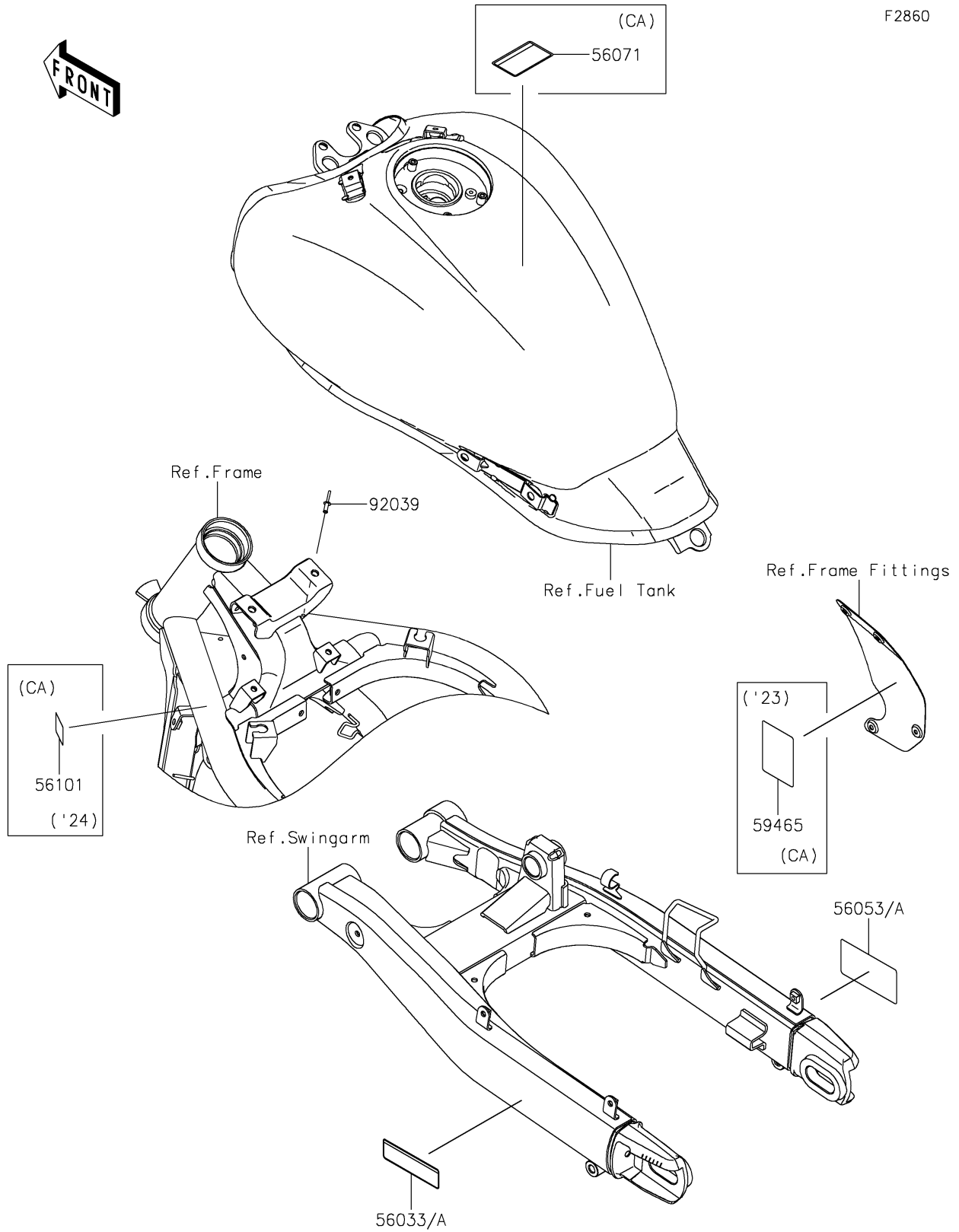


2024 VULCAN® S

PARTS DIAGRAM

Labels



2024 VULCAN® S

PARTS LIST

Labels



ITEM NAME	PART NUMBER	QUANTITY
-----------	-------------	----------
