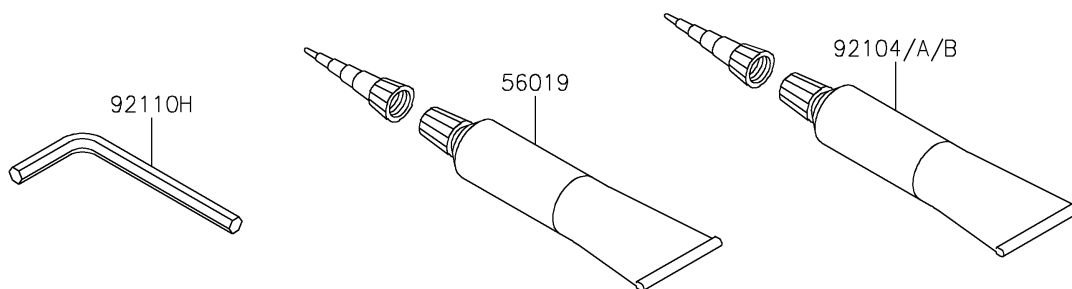
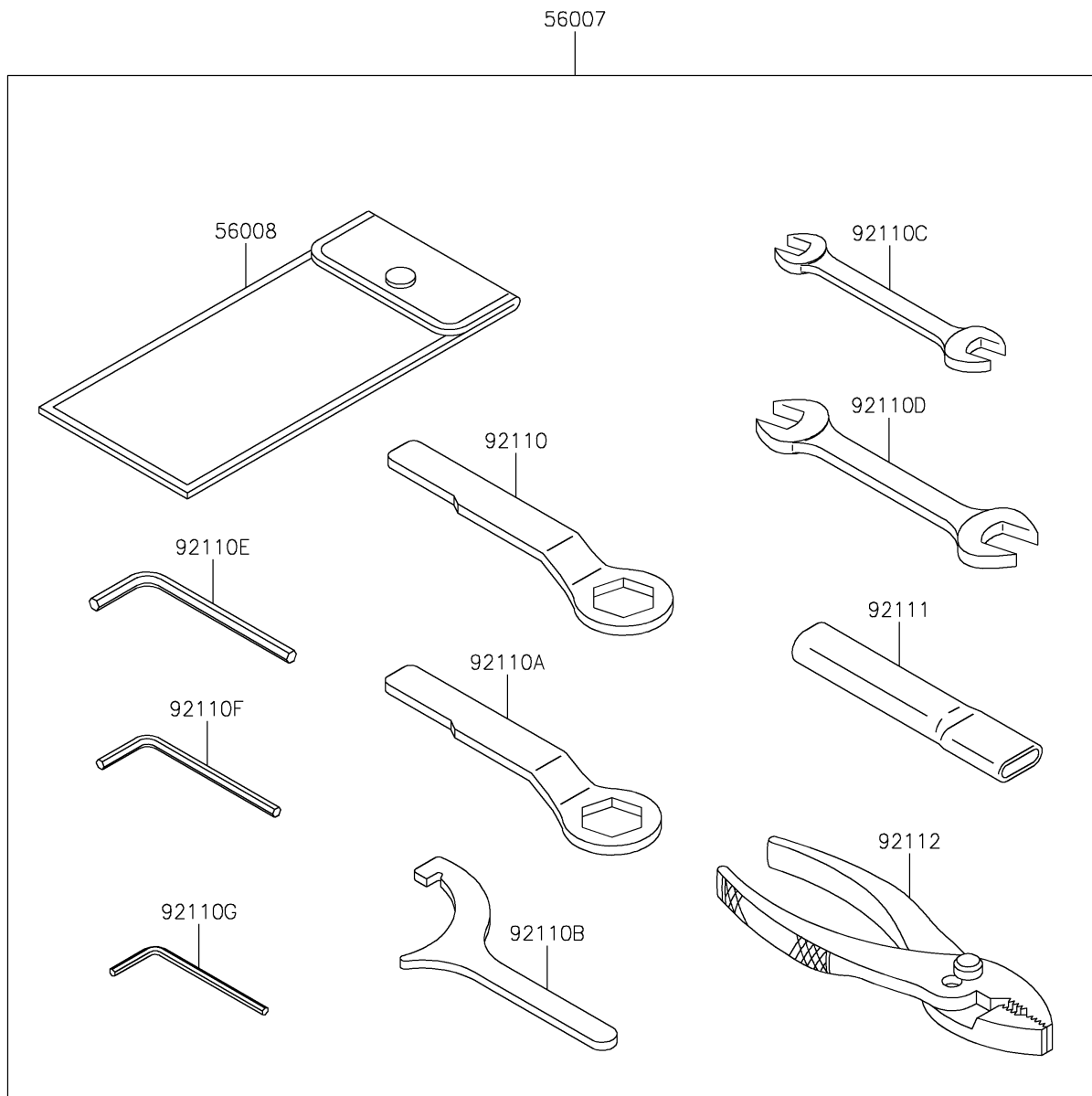


# 2024 VULCAN® S

## PARTS DIAGRAM

### Owner's Tools

F2810



# 2024 VULCAN® S

## PARTS LIST

### Owner's Tools



ITEM NAME	PART NUMBER	QUANTITY
-----------	-------------	----------

---