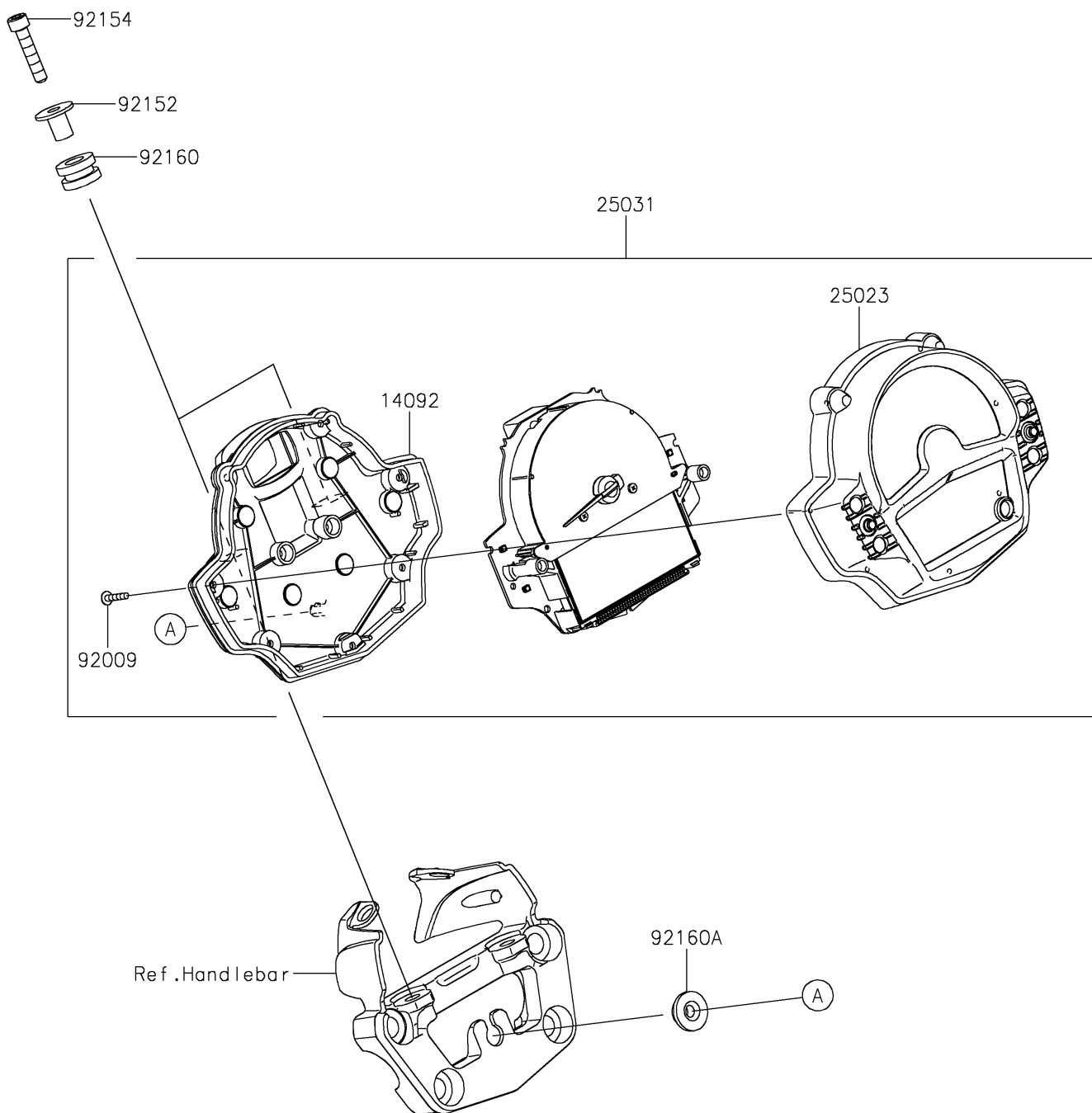


# 2023 Vulcan S

## PARTS DIAGRAM

### Meter(s)

F2530



# 2023 Vulcan S

## PARTS LIST

Meter(s)

**ITEM NAME**

**PART NUMBER**

**QUANTITY**

---