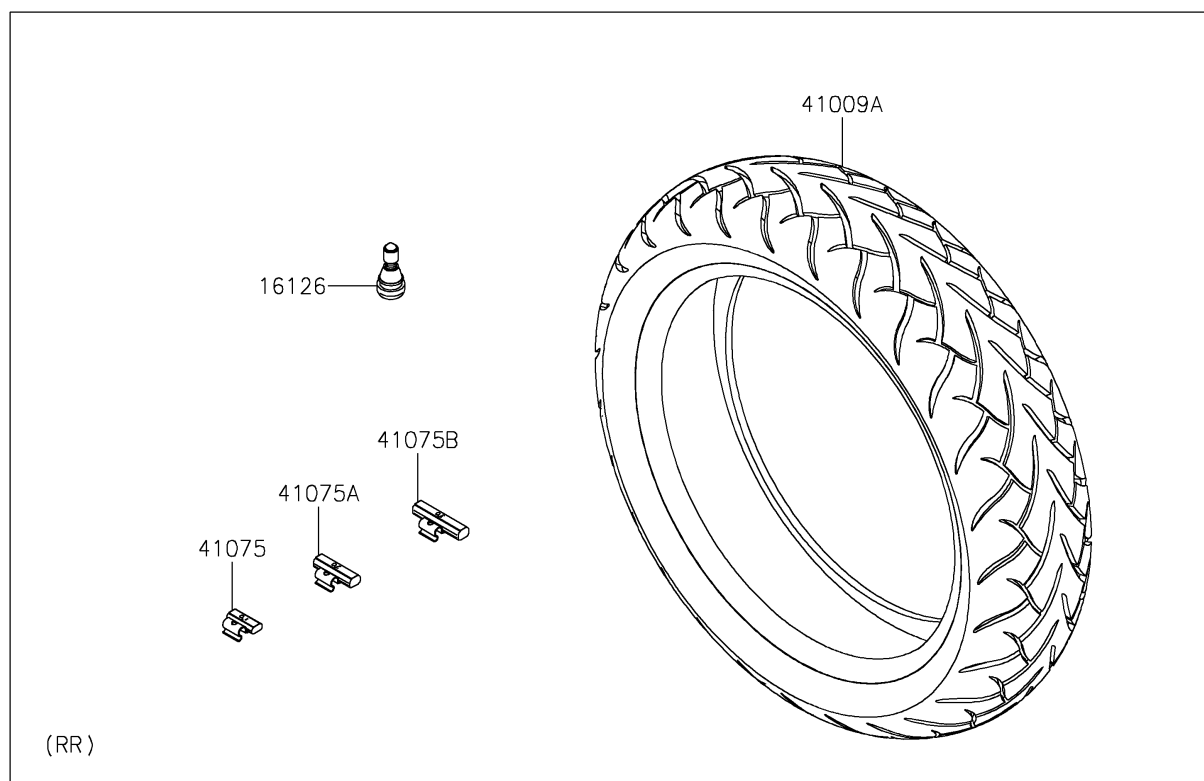
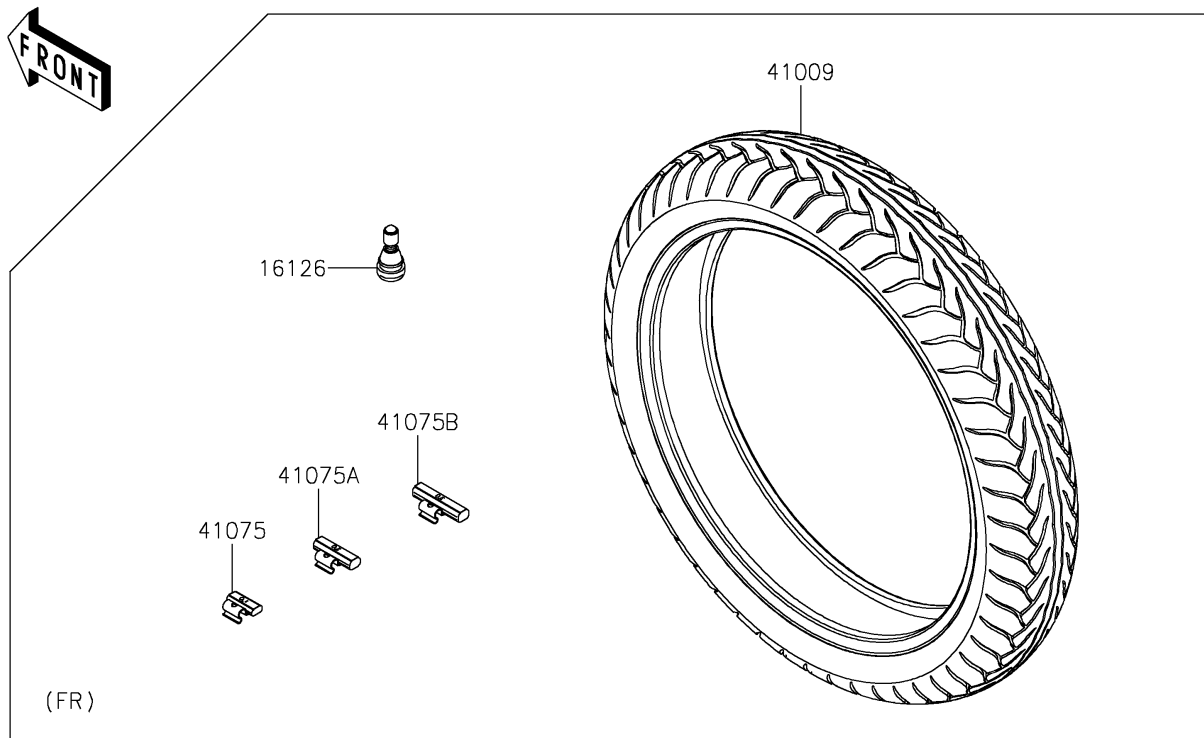


# 2023 Vulcan S

## PARTS DIAGRAM

### Tires

F2210



# 2023 Vulcan S

## PARTS LIST

### Tires

**ITEM NAME**

**PART NUMBER**

**QUANTITY**

---