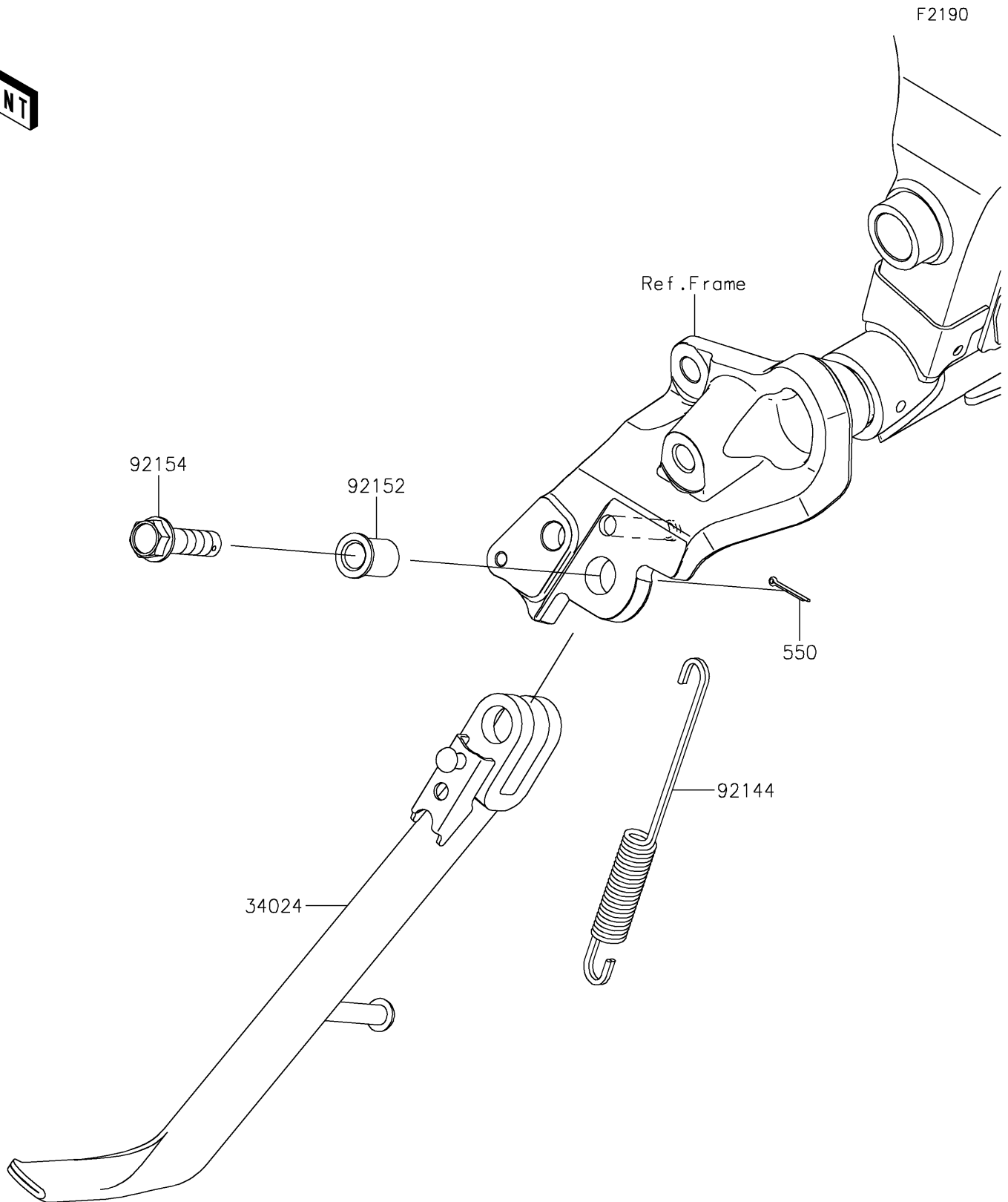


# 2023 Vulcan S

## PARTS DIAGRAM

### Stand(s)



# 2023 Vulcan S

## PARTS LIST

Stand(s)

**ITEM NAME**

**PART NUMBER**

**QUANTITY**

---