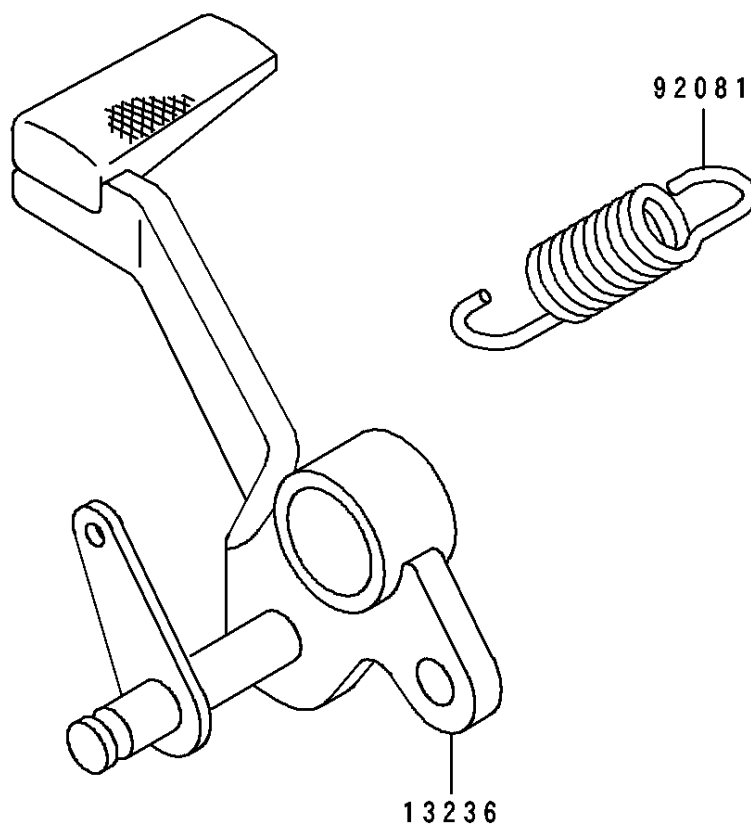


# 1996 GPZ 1100 ABS

## PARTS DIAGRAM

### Brake Pedal/Torque Link



# 1996 GPZ 1100 ABS

## PARTS LIST

### Brake Pedal/Torque Link

**ITEM NAME**

**PART NUMBER**

**QUANTITY**

---