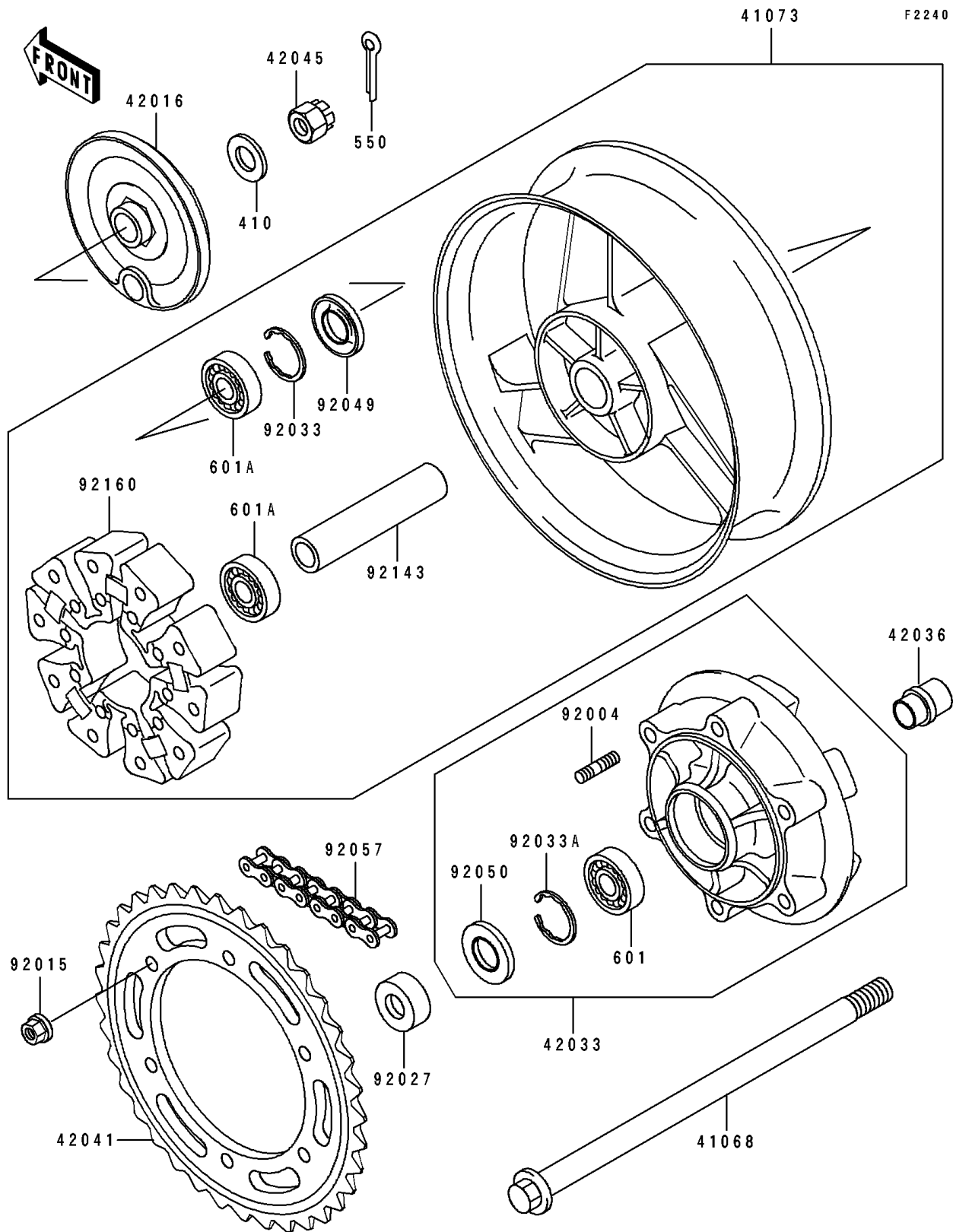


1996 GPZ 1100 ABS

PARTS DIAGRAM

Rear Wheel/Chain



1996 GPZ 1100 ABS

PARTS LIST

Rear Wheel/Chain

ITEM NAME

PART NUMBER

QUANTITY
