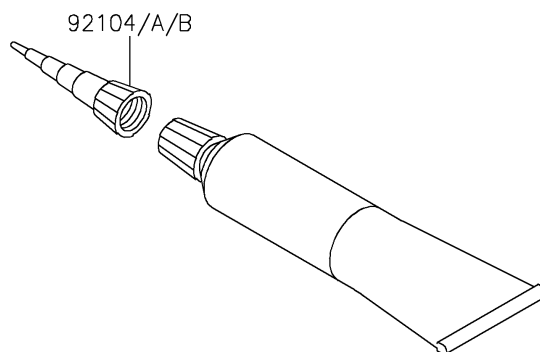
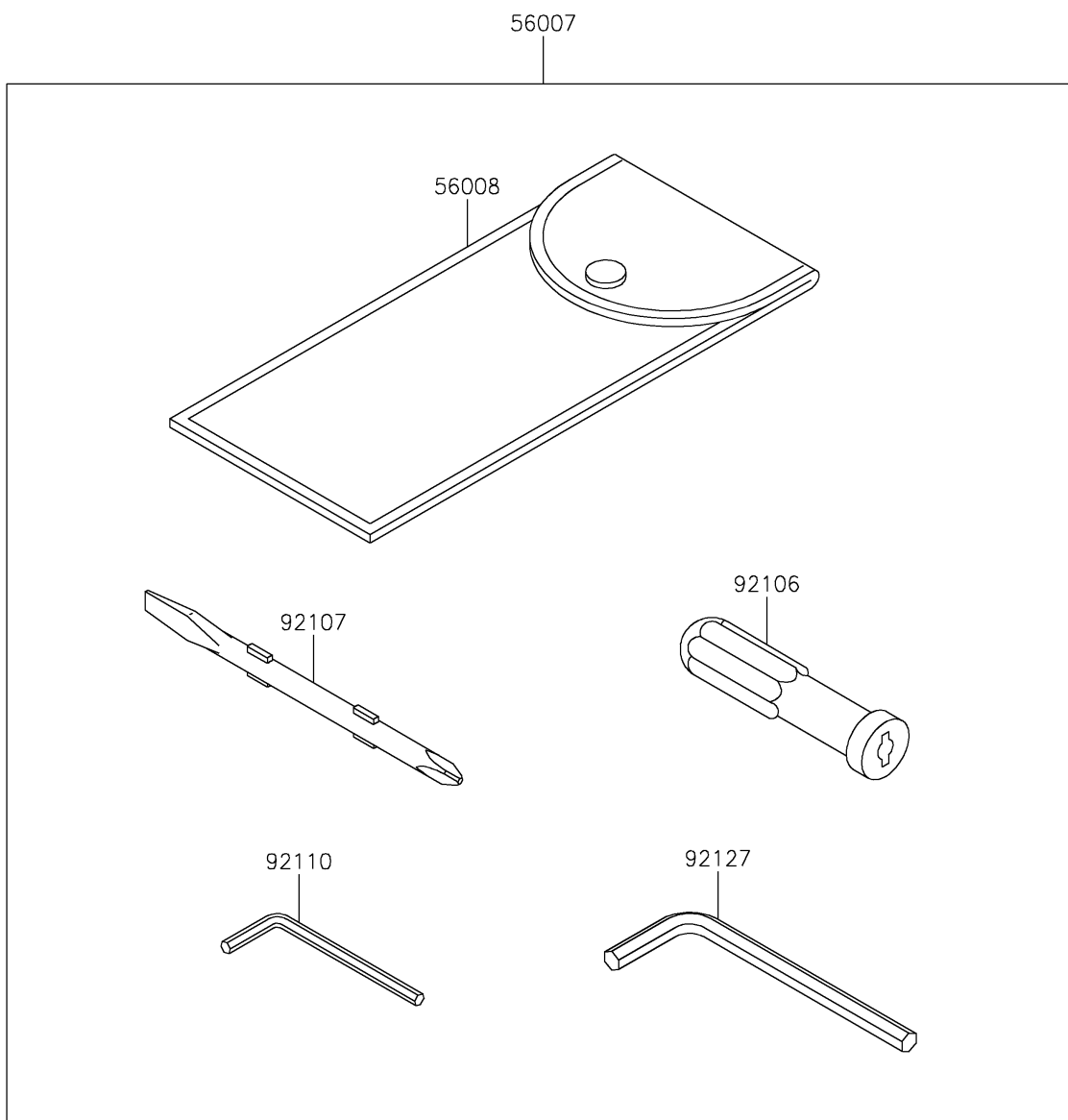


# 2022 NINJA<sup>®</sup> ZX<sup>™</sup>-10R

## PARTS DIAGRAM

### Owner's Tools

F2810



# 2022 NINJA<sup>®</sup> ZX<sup>™</sup>-10R

## PARTS LIST

### Owner's Tools



**ITEM NAME**

**PART NUMBER**

**QUANTITY**

---