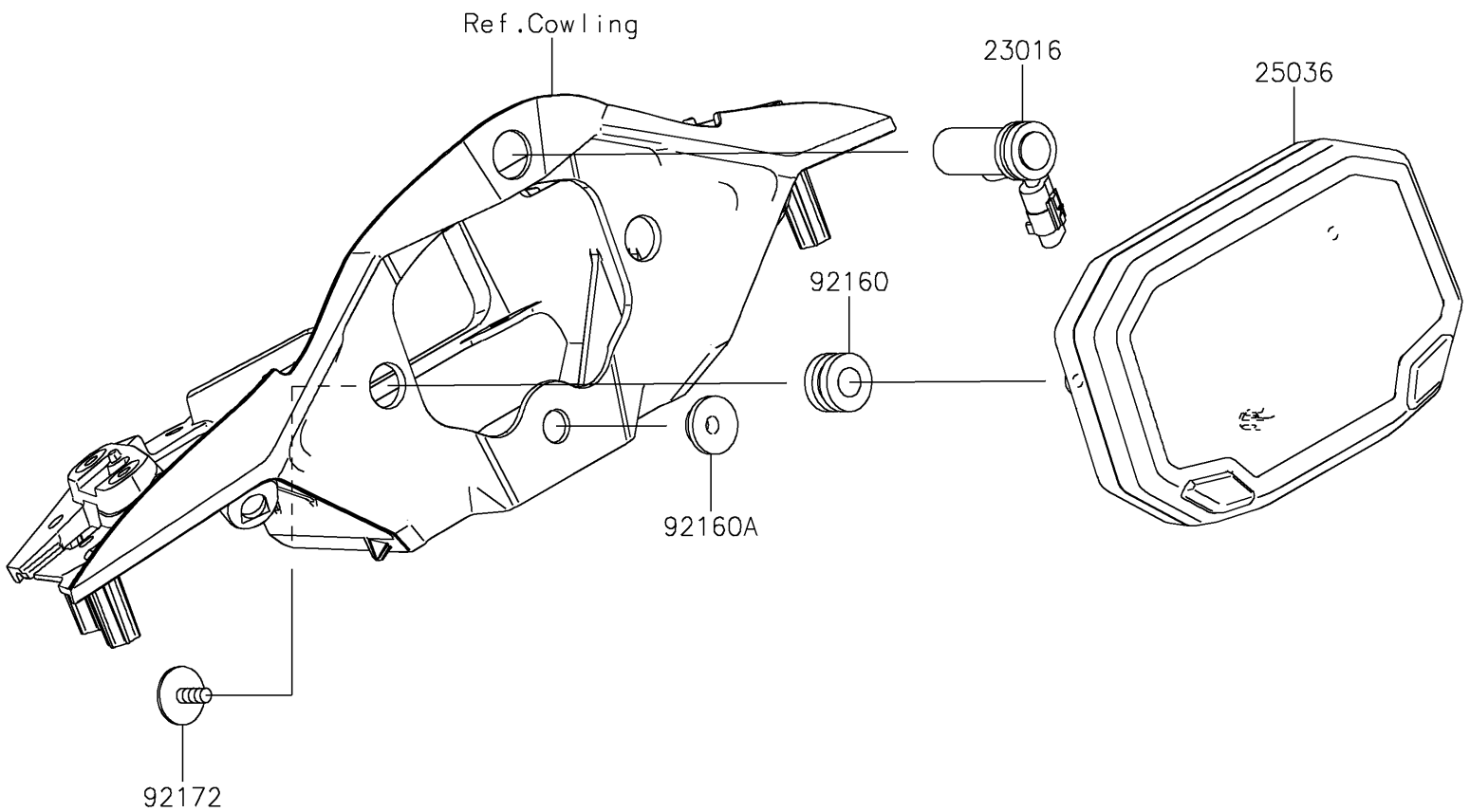


2024 NINJA® ZX™-10R

PARTS DIAGRAM

Meter(s)

F2530



2024 NINJA[®] ZX[™]-10R

PARTS LIST

Meter(s)

ITEM NAME	PART NUMBER	QUANTITY
-----------	-------------	----------
