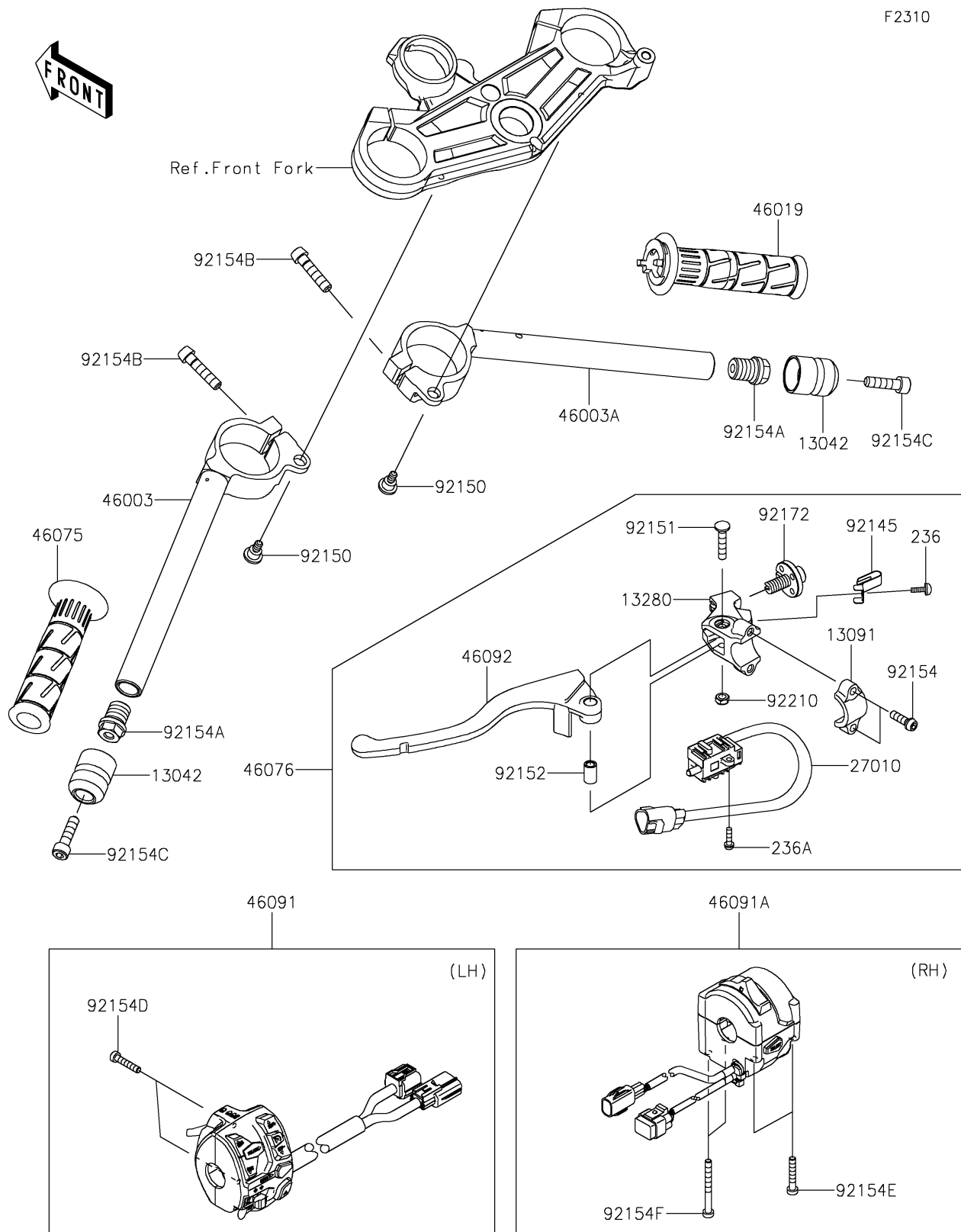


2025 NINJA® ZX™-10R

PARTS DIAGRAM

Handlebar



2025 NINJA® ZX™-10R

PARTS LIST

Handlebar

| ITEM NAME | PART NUMBER | QUANTITY |
|--|-------------|----------|
| WEIGHT,HANDLE (Ref # 13042) | 13042-5032 | 2 |
| HOLDER,CLUTCH LEVER (Ref # 13091) | 13091-1624 | 1 |
| HOLDER (Ref # 13280) | 13280-1319 | 1 |
| SWITCH,CLUTCH (Ref # 27010) | 27010-0971 | 1 |
| HANDLE,LH (Ref # 46003) | 46003-0786 | 1 |
| HANDLE,RH (Ref # 46003A) | 46003-0787 | 1 |
| GRIP-ASSY,THROTTLE (Ref # 46019) | 46019-0100 | 1 |
| GRIP,HANDLE,LH (Ref # 46075) | 46075-1144 | 1 |
| LEVER-ASSY-GRIP,CLUTCH (Ref # 46076) | 46076-0184 | 1 |
| HOUSING-ASSY-CONTROL,LH (Ref # 46091) | 46091-0576 | 1 |
| HOUSING-ASSY-CONTROL,RH (Ref # 46091A) | 46091-0585 | 1 |
| LEVER-GRIP (Ref # 46092) | 46092-0581 | 1 |
| SPRING (Ref # 92145) | 92145-1286 | 1 |
| BOLT,6MM (Ref # 92150) | 92150-1090 | 2 |
| BOLT (Ref # 92151) | 92151-1523 | 1 |
| COLLAR (Ref # 92152) | 92152-0103 | 1 |
| BOLT,SOCKET,6X20 (Ref # 92154) | 92154-1644 | 2 |
| BOLT,17X18 (Ref # 92154A) | 92154-1902 | 2 |
| BOLT,SOCKET,8X35 (Ref # 92154B) | 92154-1969 | 2 |
| BOLT,SOCKET,8X30 (Ref # 92154C) | 92154-2292 | 2 |
| BOLT,SOCKET,5X25 (Ref # 92154D) | 92154-2596 | 2 |
| BOLT,5X30 (Ref # 92154E) | 92154-3921 | 2 |
| BOLT,5X50 (Ref # 92154F) | 92154-3922 | 2 |
| SCREW,ADJUST NUT (Ref # 92172) | 92172-1060 | 1 |
| NUT,LOCK,6MM (Ref # 92210) | 92210-1544 | 1 |
| SCREW-PAN-WSP-CROS,4X10 (Ref # 236) | 236AB0410 | 1 |
| SCREW-PAN-WSP-CROS (Ref # 236A) | 236AB0416 | 1 |