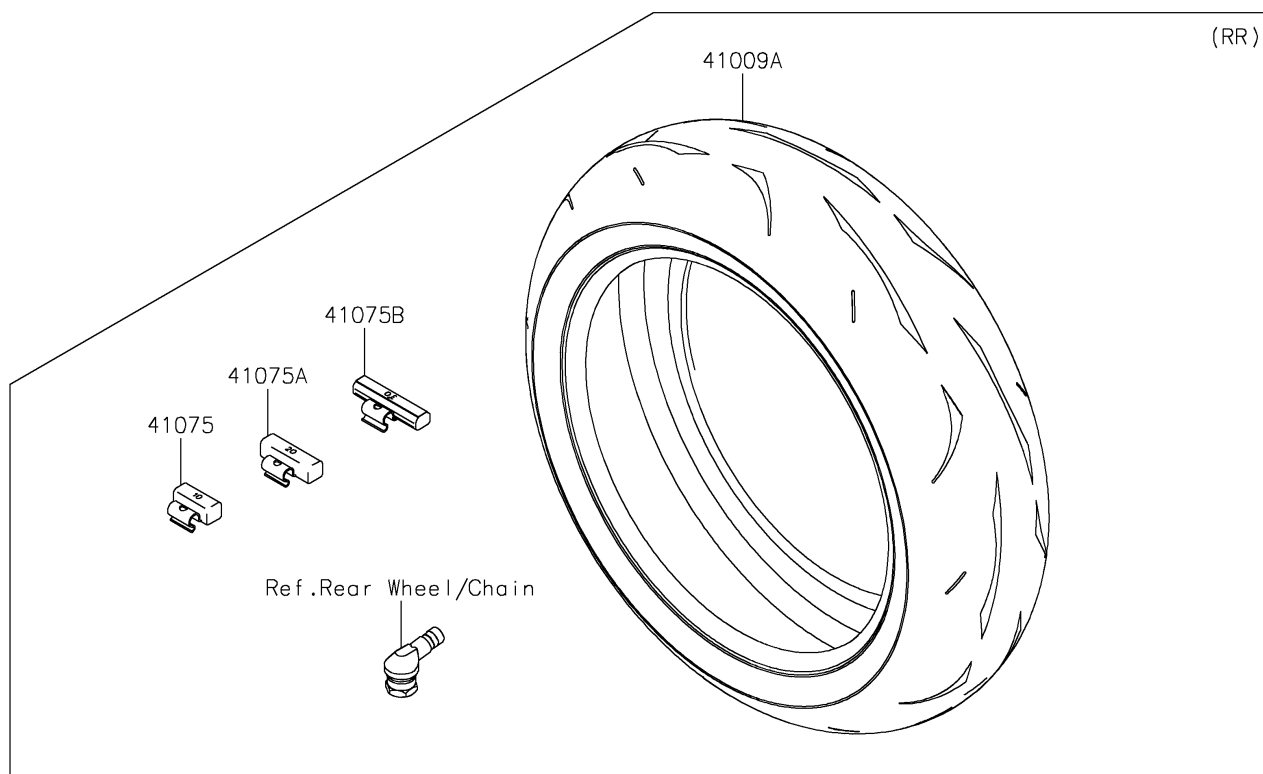
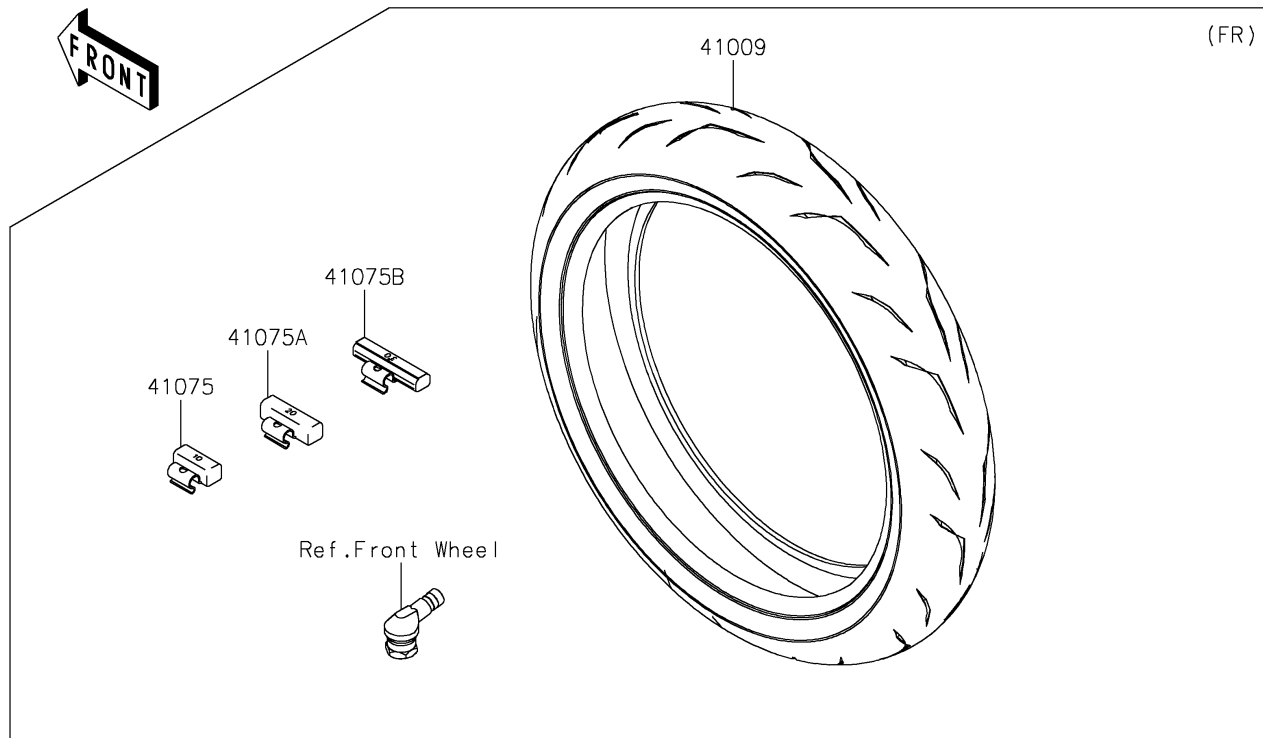


# 2024 NINJA<sup>®</sup> ZX<sup>™</sup>-10R

## PARTS DIAGRAM

### Tires

F2210



# 2024 NINJA® ZX™-10R

## PARTS LIST

### Tires



ITEM NAME	PART NUMBER	QUANTITY
-----------	-------------	----------

---