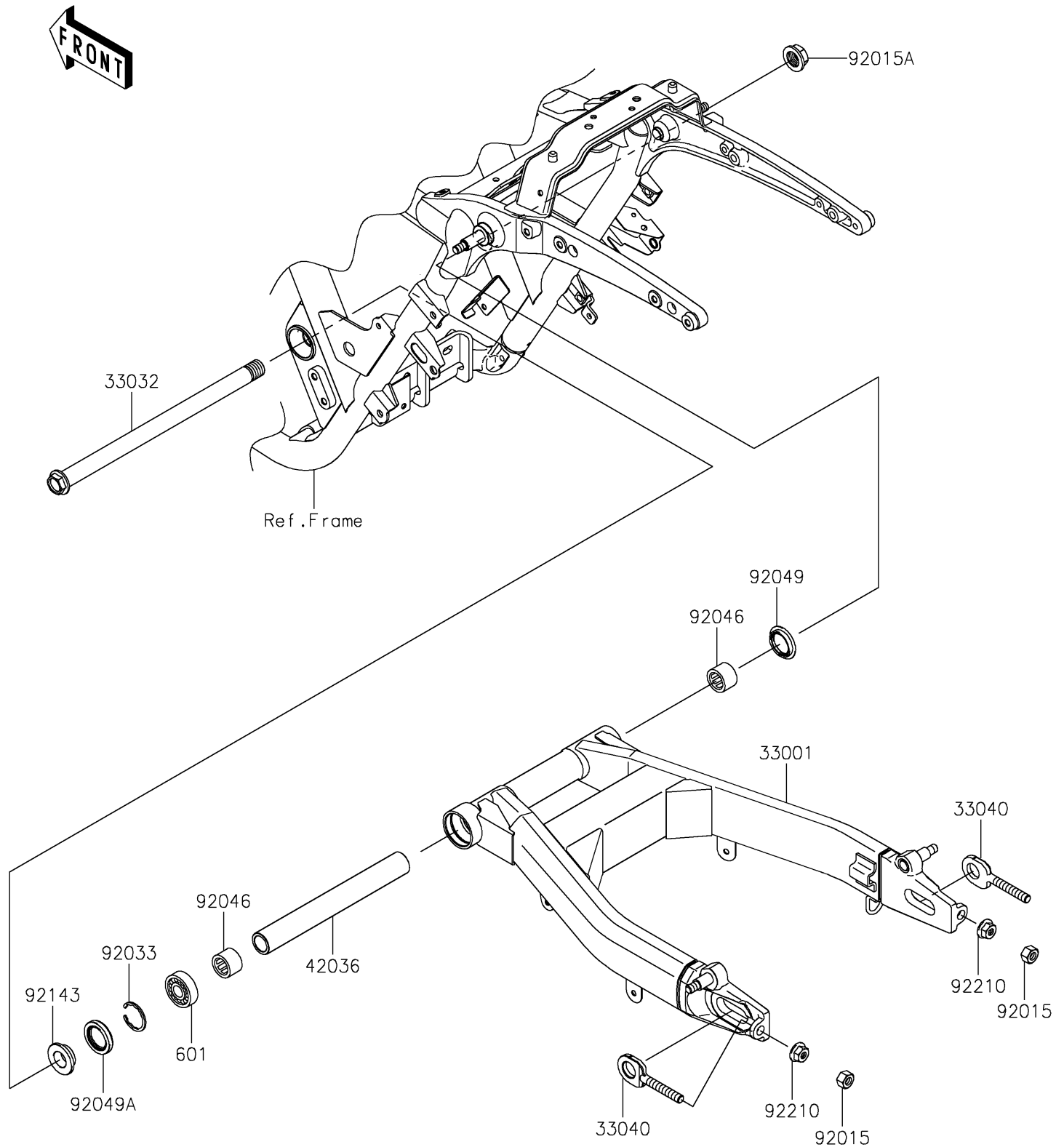


# 2023 VULCAN® 1700 VOYAGER® ABS

## PARTS DIAGRAM

### Swingarm

F2141



# 2023 VULCAN® 1700 VOYAGER® ABS



## PARTS LIST

### Swingarm

| ITEM NAME | PART NUMBER | QUANTITY |
|-----------|-------------|----------|
|-----------|-------------|----------|

---