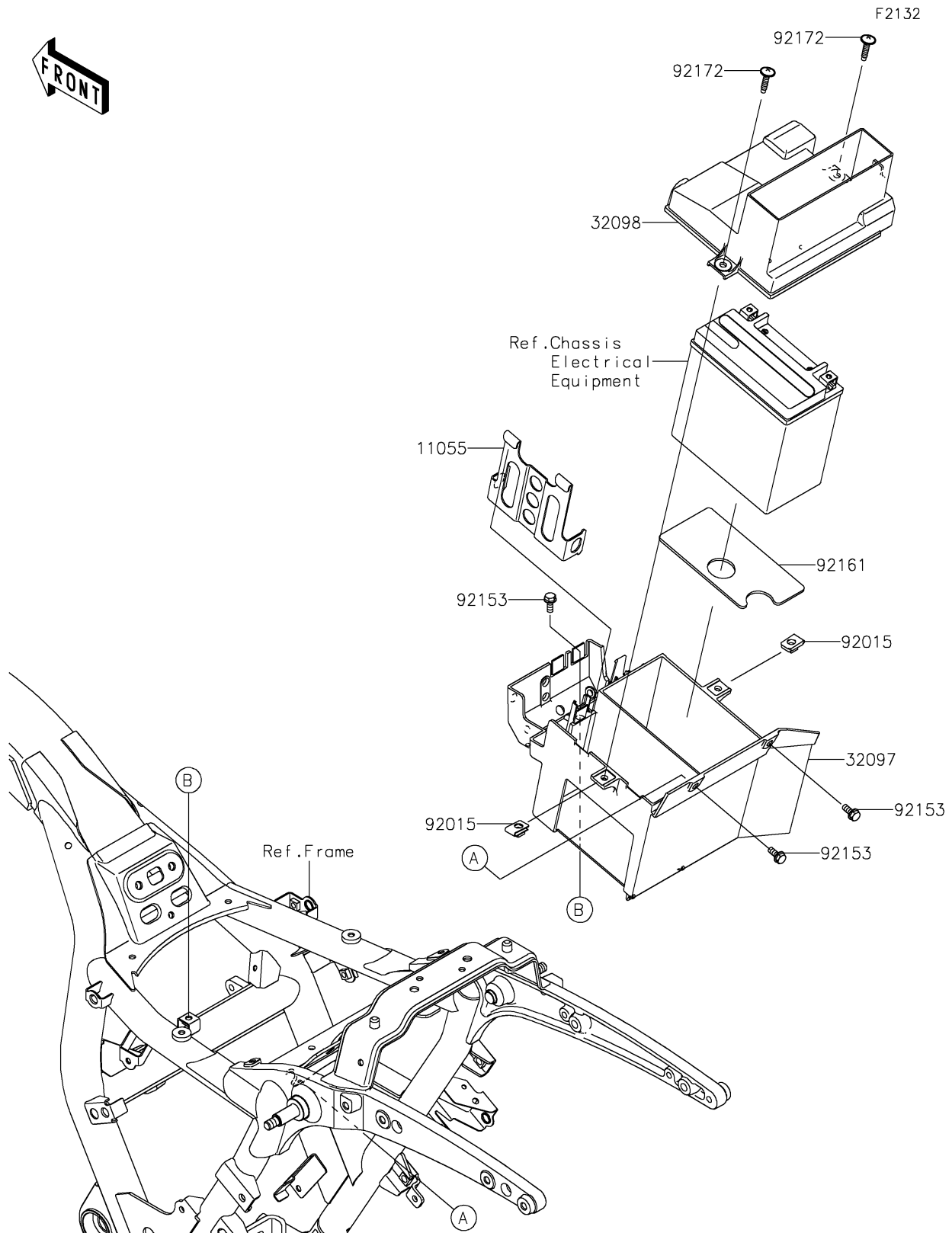


# 2025 Vulcan 1700 Voyager ABS

## PARTS DIAGRAM

### Battery Case



# 2025 Vulcan 1700 Voyager ABS

## PARTS LIST

### Battery Case

**ITEM NAME**

**PART NUMBER**

**QUANTITY**

---