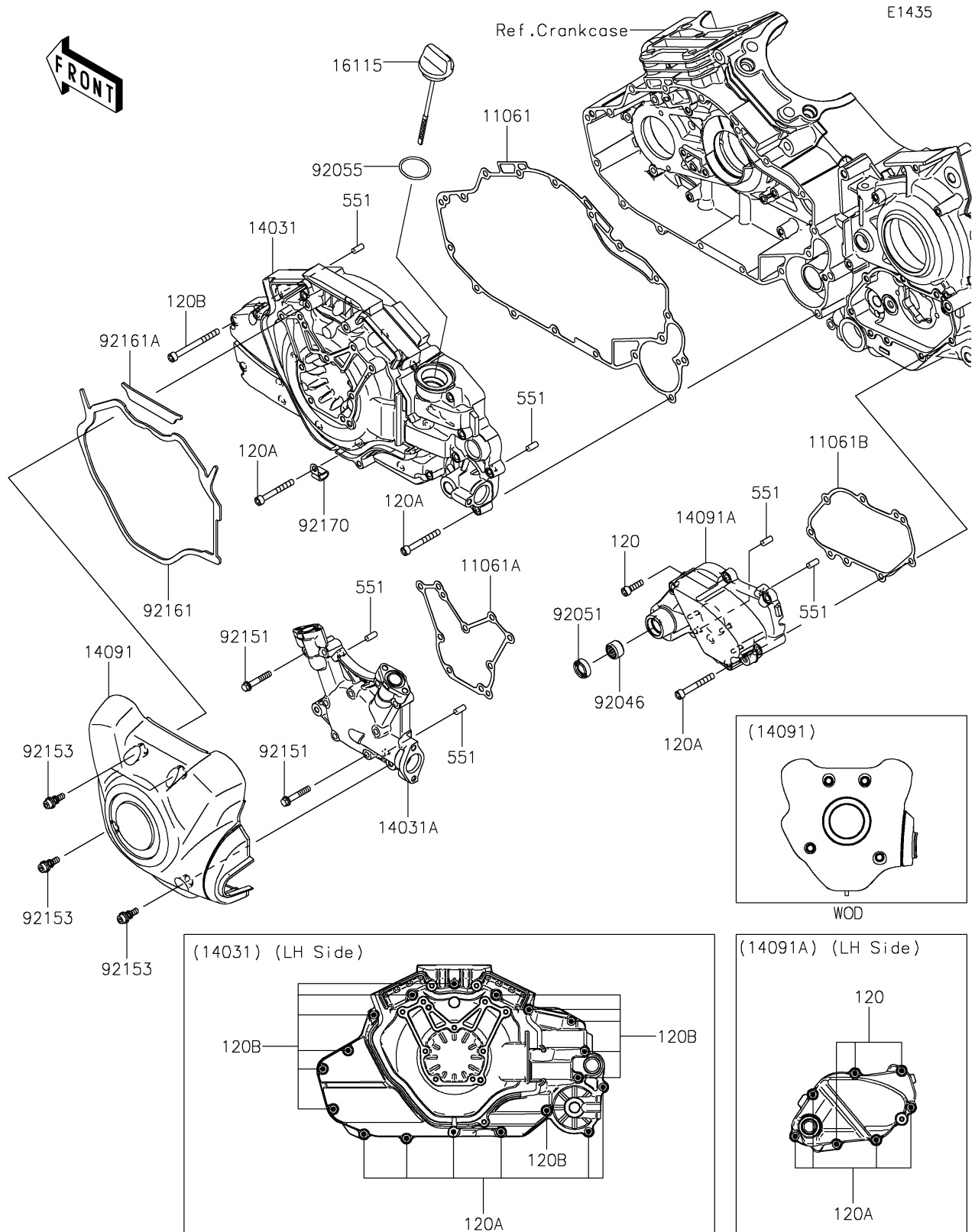


# 2025 Vulcan 1700 Voyager ABS

## PARTS DIAGRAM

### Left Engine Cover(s)



# 2025 Vulcan 1700 Voyager ABS

## PARTS LIST

Left Engine Cover(s)

ITEM NAME	PART NUMBER	QUANTITY
-----------	-------------	----------

---