

# 2022 Vulcan® 1700 Voyager ABS

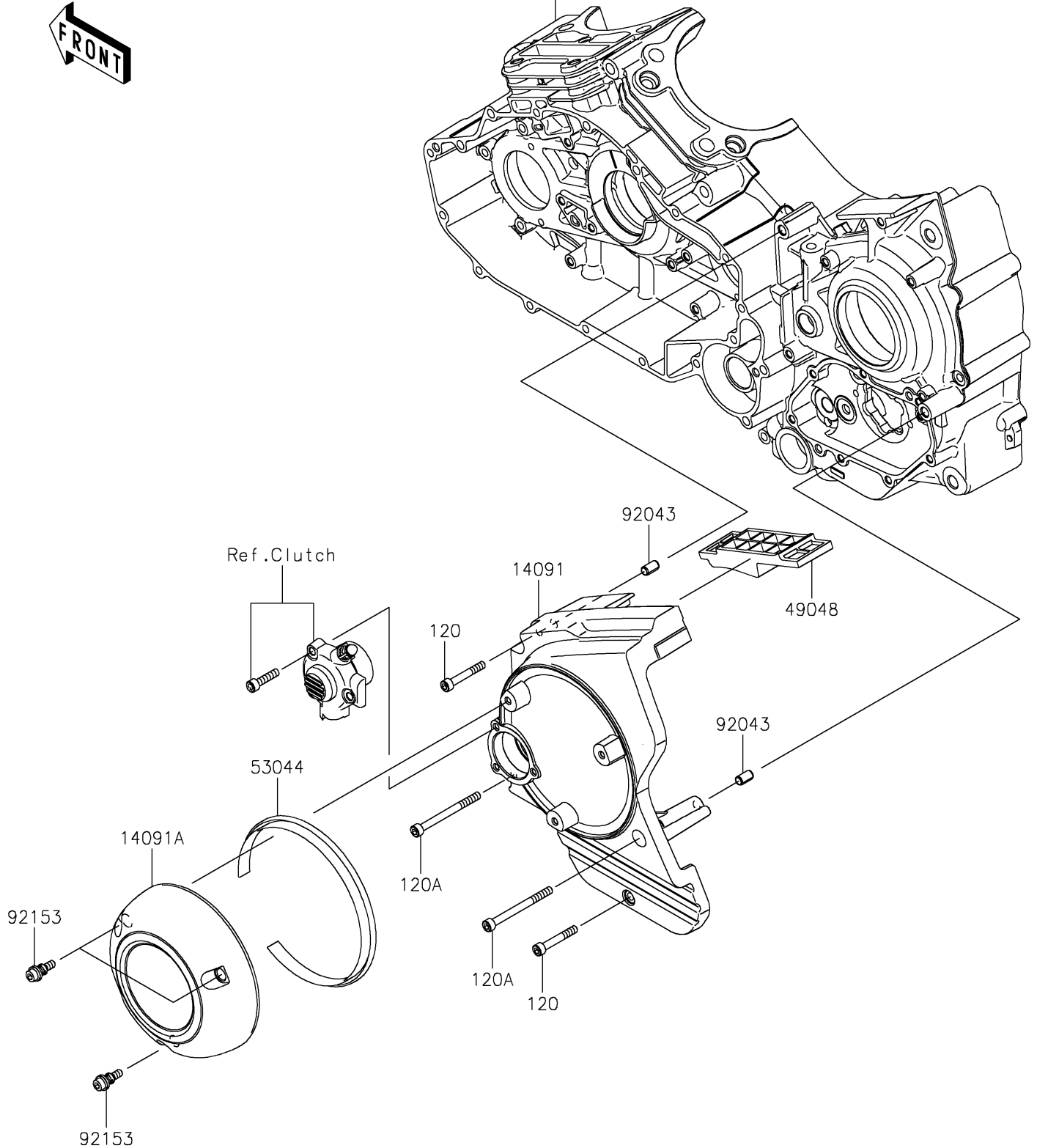
## PARTS DIAGRAM

### Chain Cover



Ref. Crankcase

E1433



# 2022 Vulcan® 1700 Voyager ABS

## PARTS LIST

### Chain Cover



**ITEM NAME**

**PART NUMBER**

**QUANTITY**

---