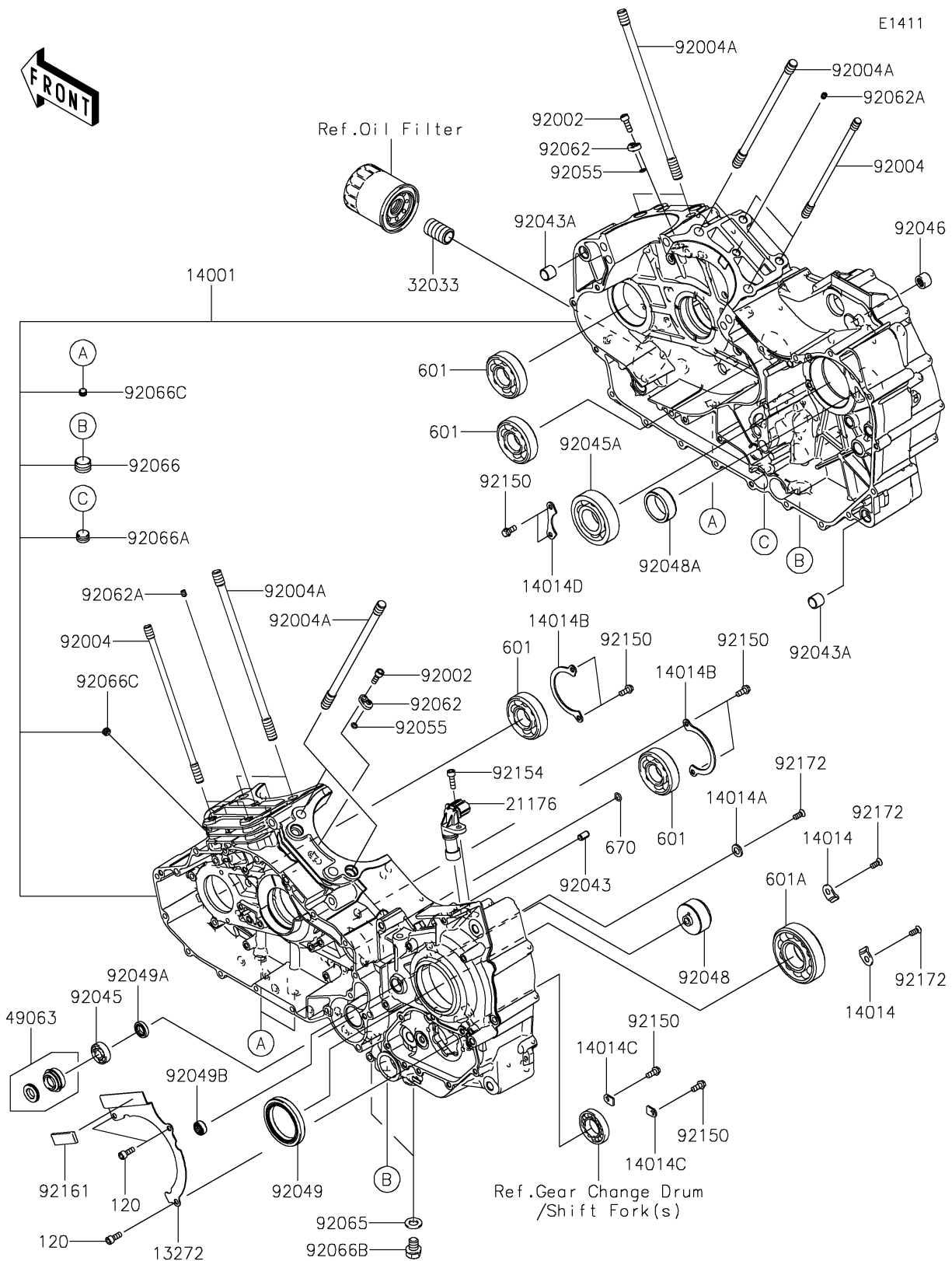


# 2024 Vulcan 1700 Voyager ABS

## PARTS DIAGRAM

### Crankcase



# 2024 Vulcan 1700 Voyager ABS

## PARTS LIST

### Crankcase

ITEM NAME	PART NUMBER	QUANTITY
-----------	-------------	----------

---