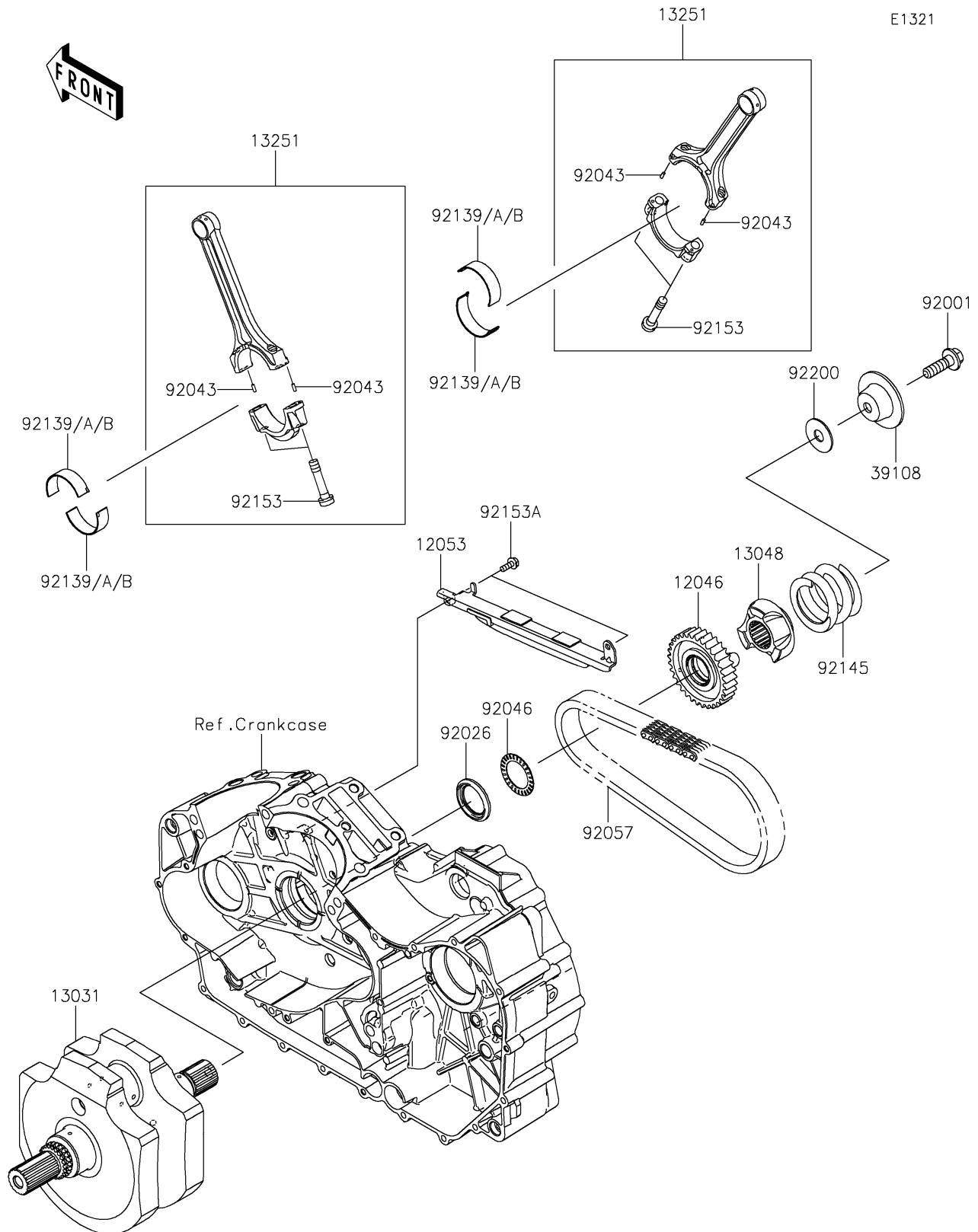


# 2022 Vulcan® 1700 Voyager ABS

## PARTS DIAGRAM

### Crankshaft



# 2022 Vulcan® 1700 Voyager ABS

## PARTS LIST

### Crankshaft



**ITEM NAME**

**PART NUMBER**

**QUANTITY**

---