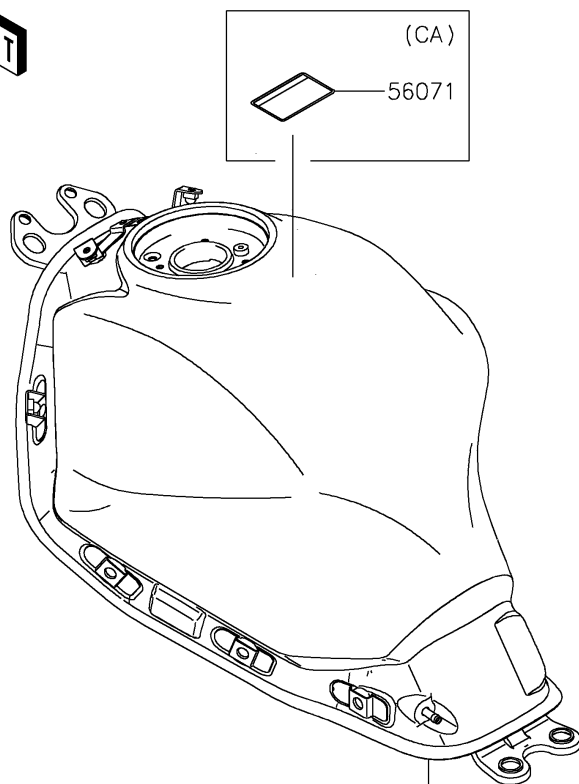


# 2024 Ninja® 650

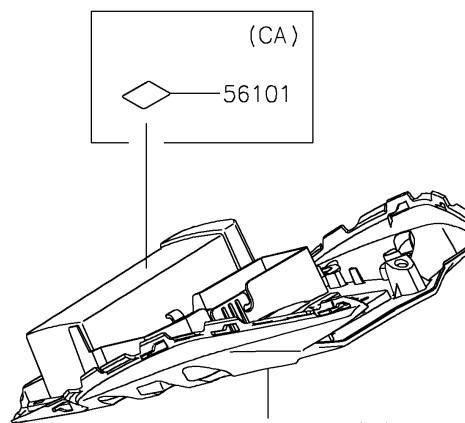
## PARTS DIAGRAM

### Labels

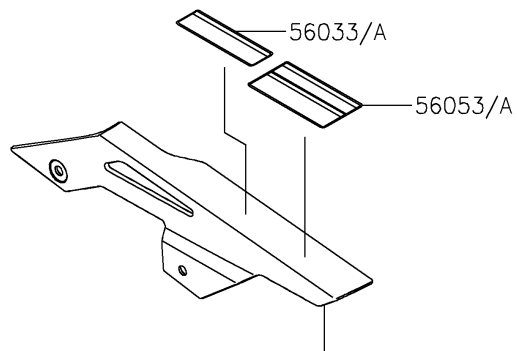
F2860



Ref. Fuel Tank



Ref. Rear Fender(s)



Ref. Side Covers/Chain Cover

# 2024 Ninja® 650

## PARTS LIST

### Labels

**ITEM NAME**

**PART NUMBER**

**QUANTITY**

---