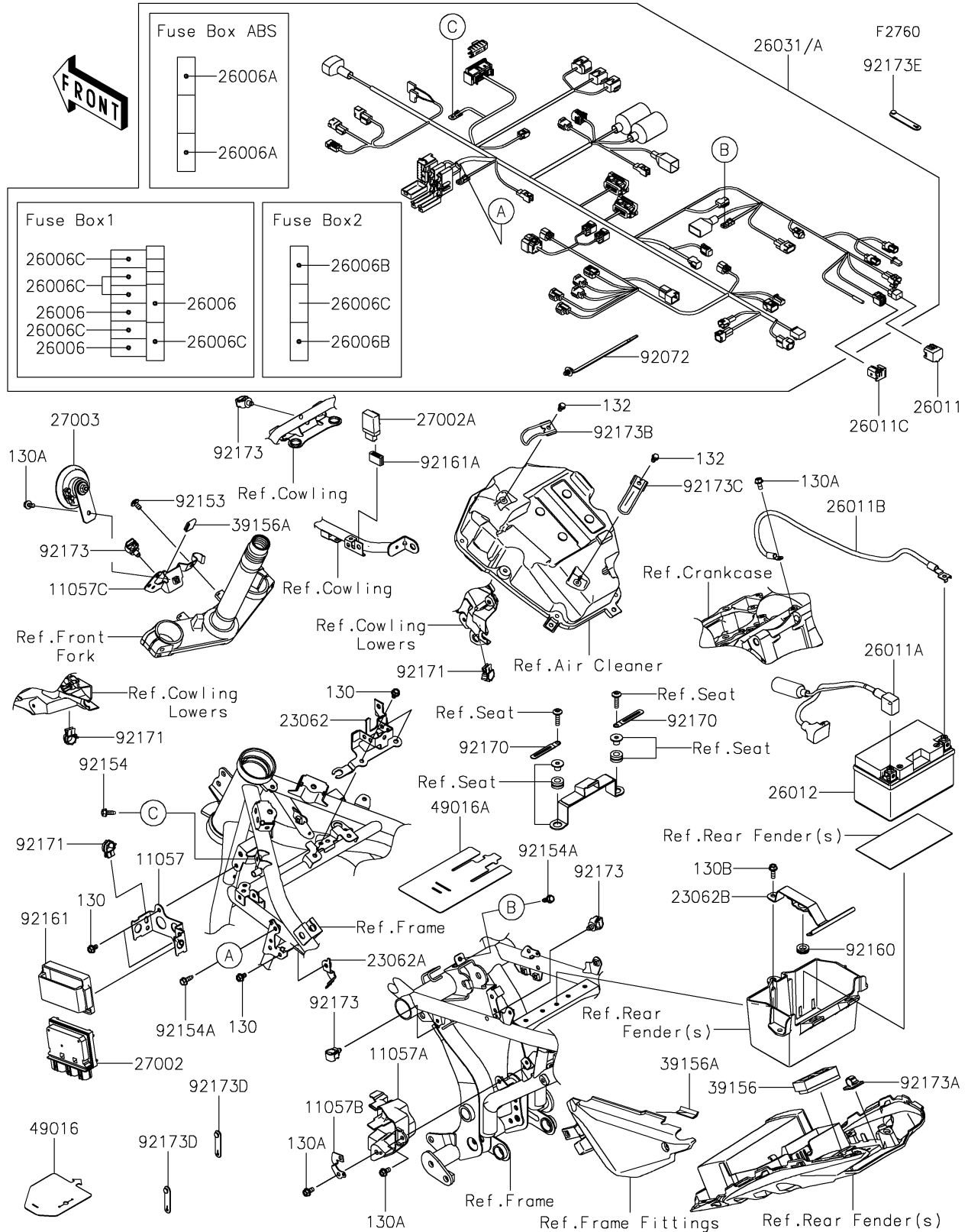


2023 NINJA® 650 KRT EDITION

PARTS DIAGRAM

Chassis Electrical Equipment



2023 NINJA® 650 KRT EDITION

PARTS LIST

Chassis Electrical Equipment

ITEM NAME	PART NUMBER	QUANTITY
-----------	-------------	----------
