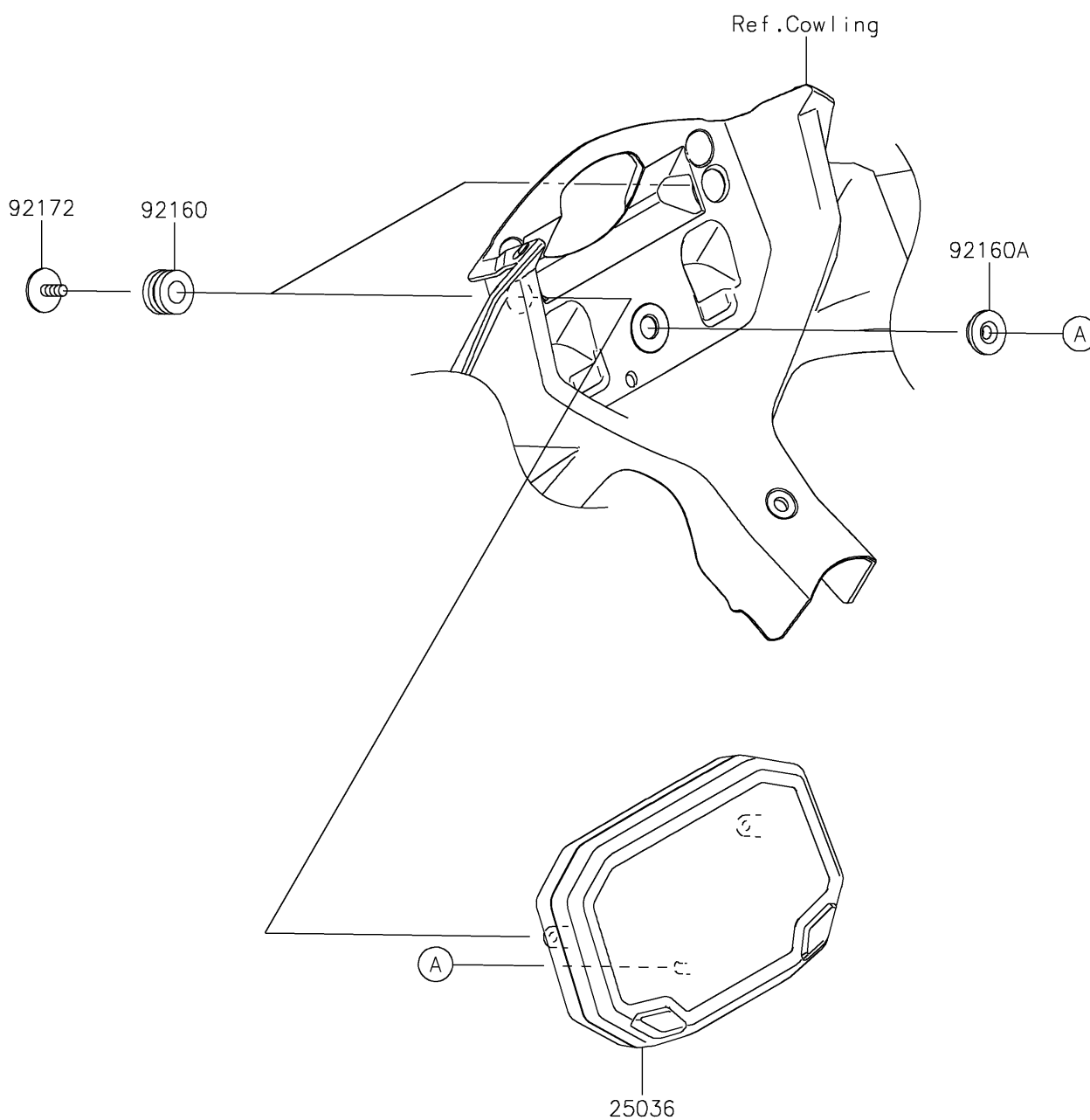


2023 NINJA® 650 KRT EDITION

PARTS DIAGRAM

Meter(s)

F2530



2023 NINJA® 650 KRT EDITION

PARTS LIST

Meter(s)

ITEM NAME	PART NUMBER	QUANTITY
-----------	-------------	----------
