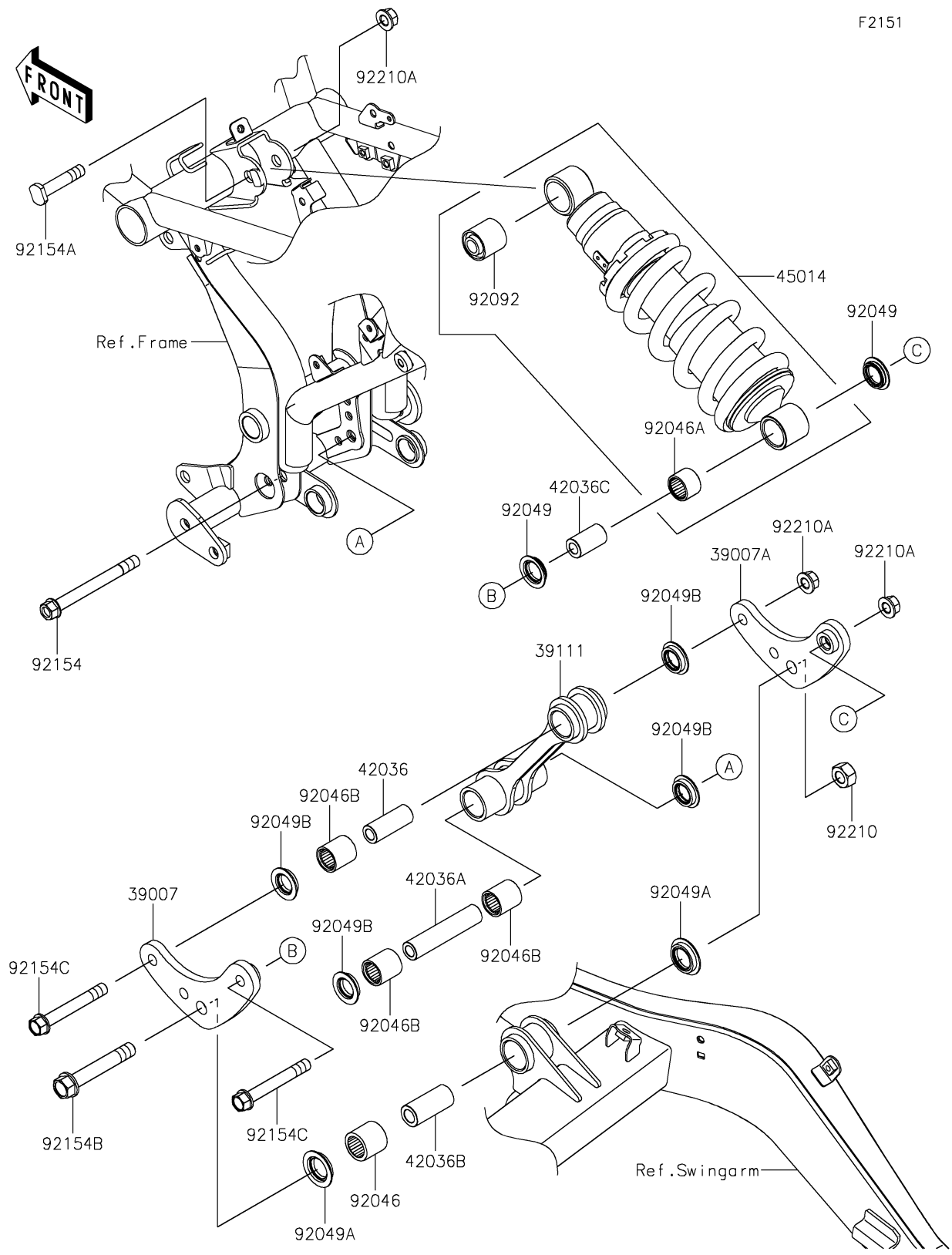


# 2023 NINJA® 650 KRT EDITION

## PARTS DIAGRAM

### Suspension/Shock Absorber



# 2023 NINJA® 650 KRT EDITION

## PARTS LIST

### Suspension/Shock Absorber

ITEM NAME	PART NUMBER	QUANTITY
-----------	-------------	----------

---