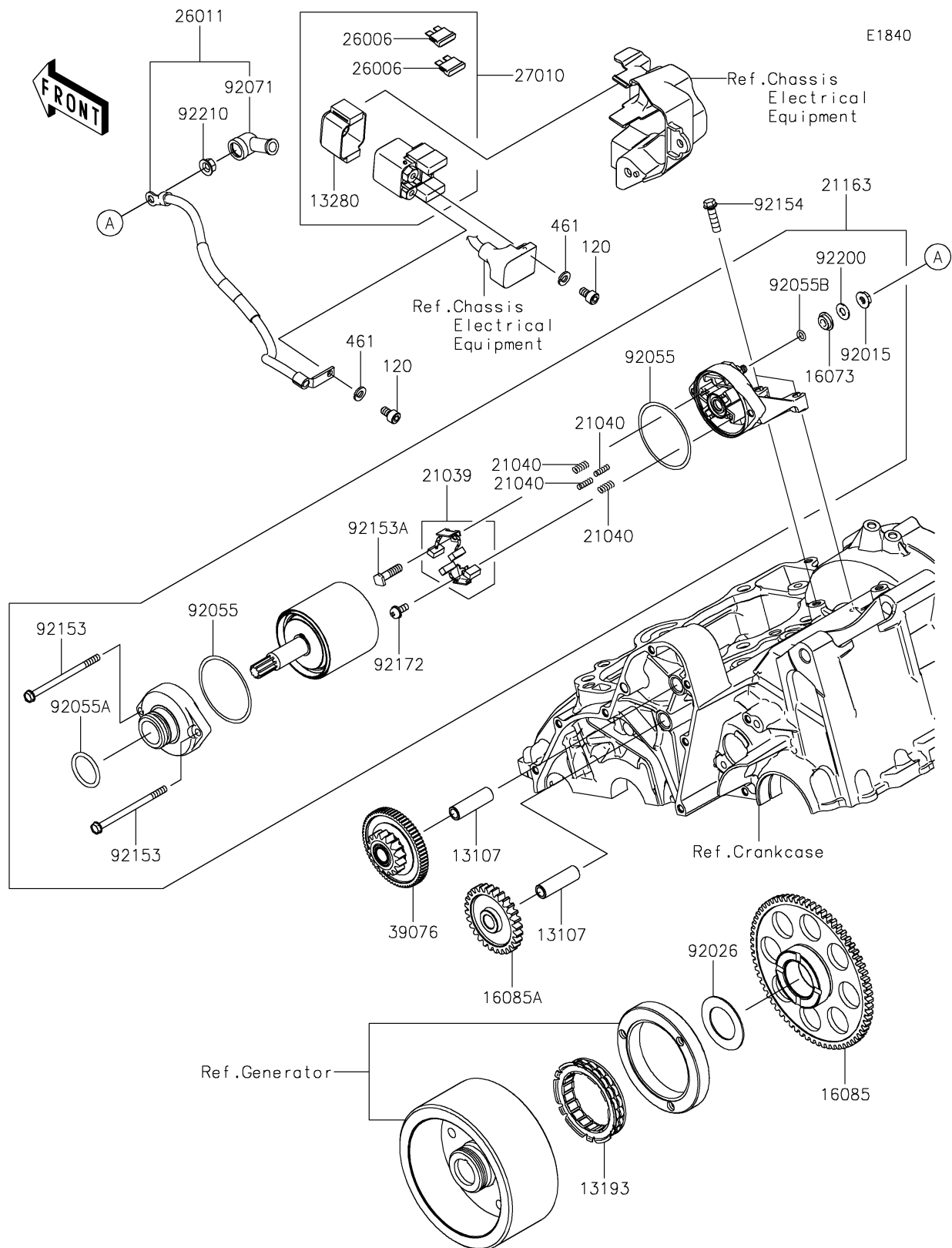


# 2023 NINJA® 650 KRT EDITION

## PARTS DIAGRAM

### Starter Motor



# 2023 NINJA® 650 KRT EDITION

## PARTS LIST

### Starter Motor

ITEM NAME	PART NUMBER	QUANTITY
-----------	-------------	----------

---