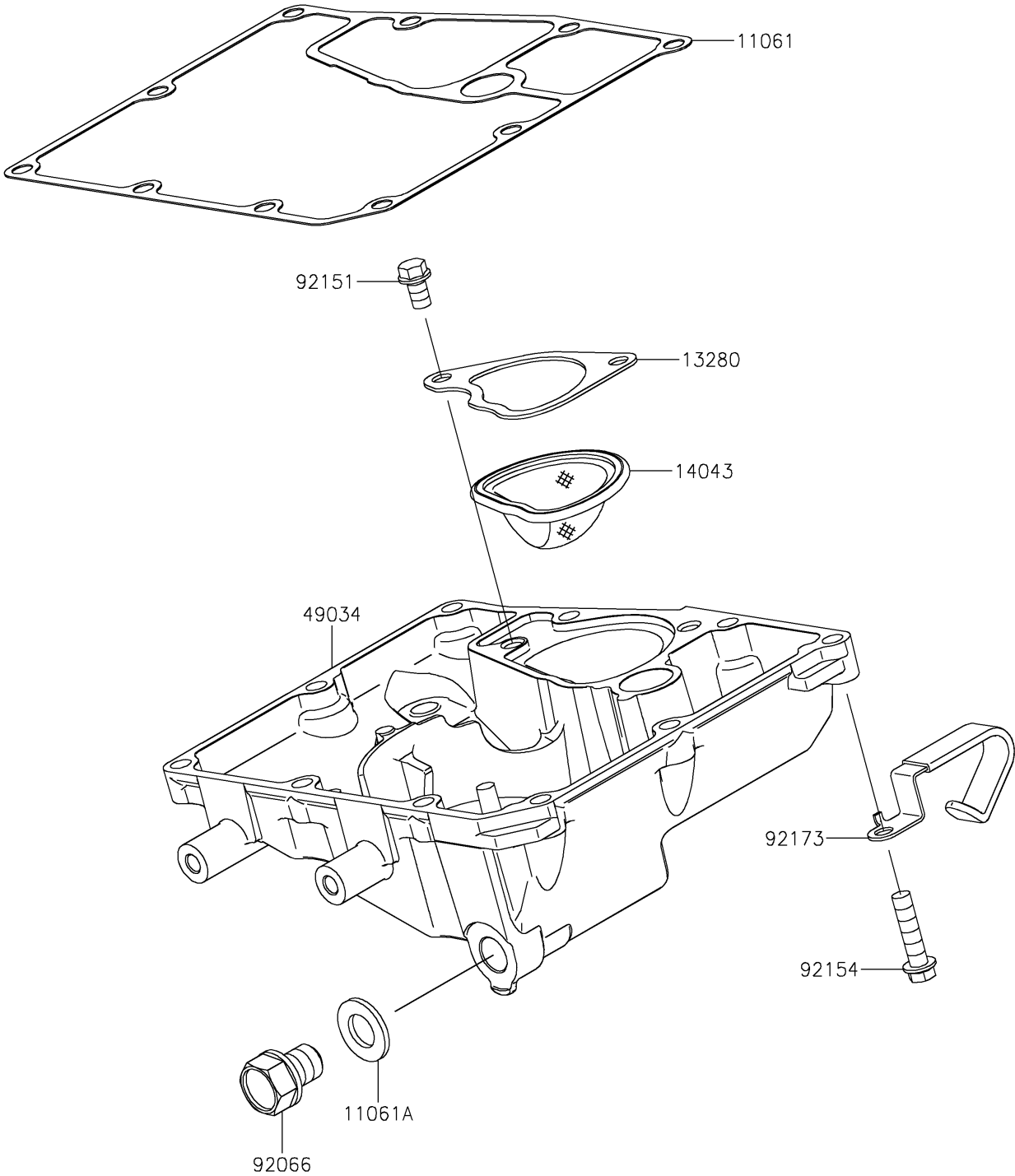


# 2023 NINJA® 650 KRT EDITION

## PARTS DIAGRAM

### Oil Pan

E1434



# 2023 NINJA® 650 KRT EDITION

## PARTS LIST

Oil Pan

ITEM NAME	PART NUMBER	QUANTITY
-----------	-------------	----------

---