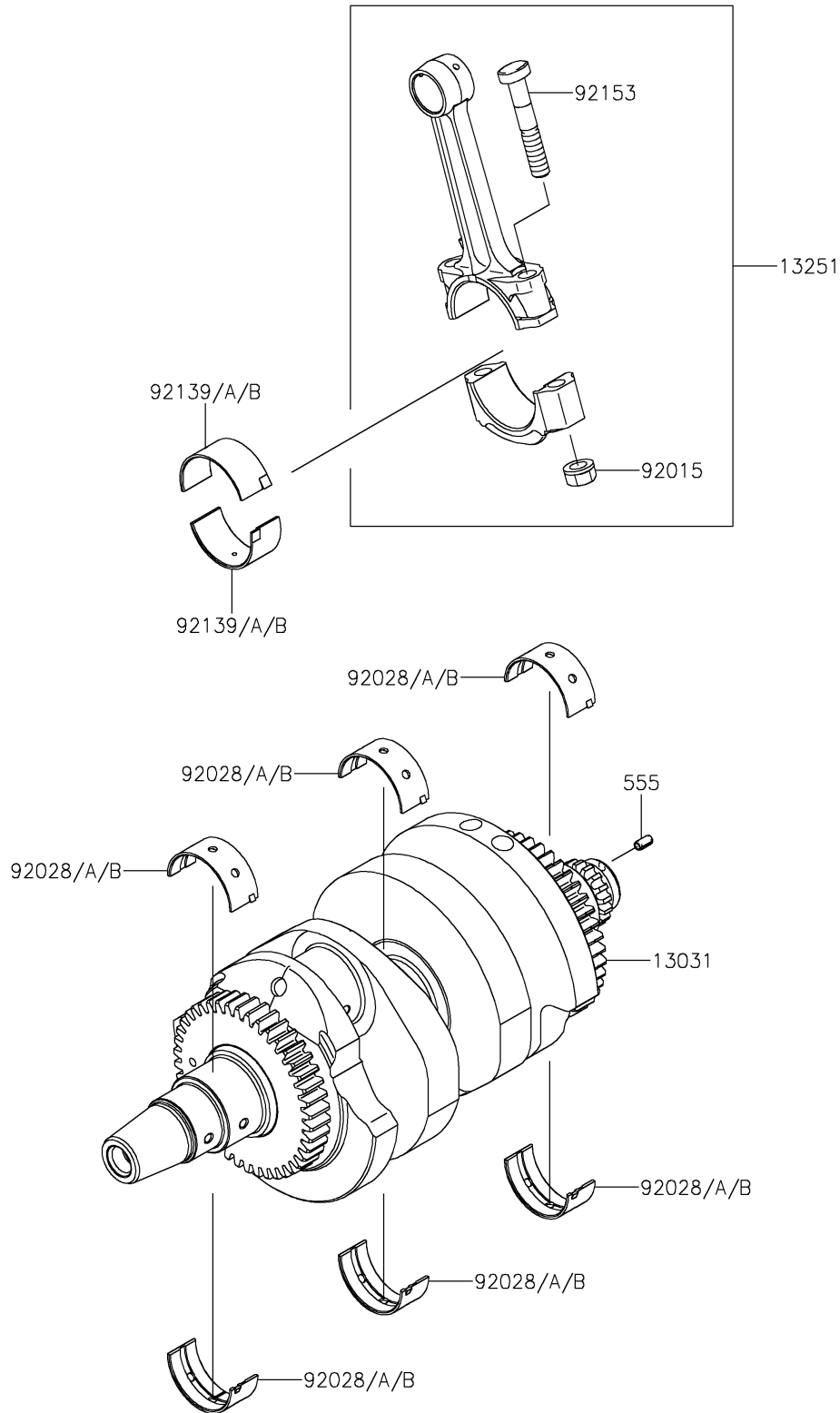


# 2023 NINJA® 650 KRT EDITION

## PARTS DIAGRAM

### Crankshaft

E1321



# 2023 NINJA® 650 KRT EDITION

## PARTS LIST

### Crankshaft

ITEM NAME	PART NUMBER	QUANTITY
-----------	-------------	----------

---