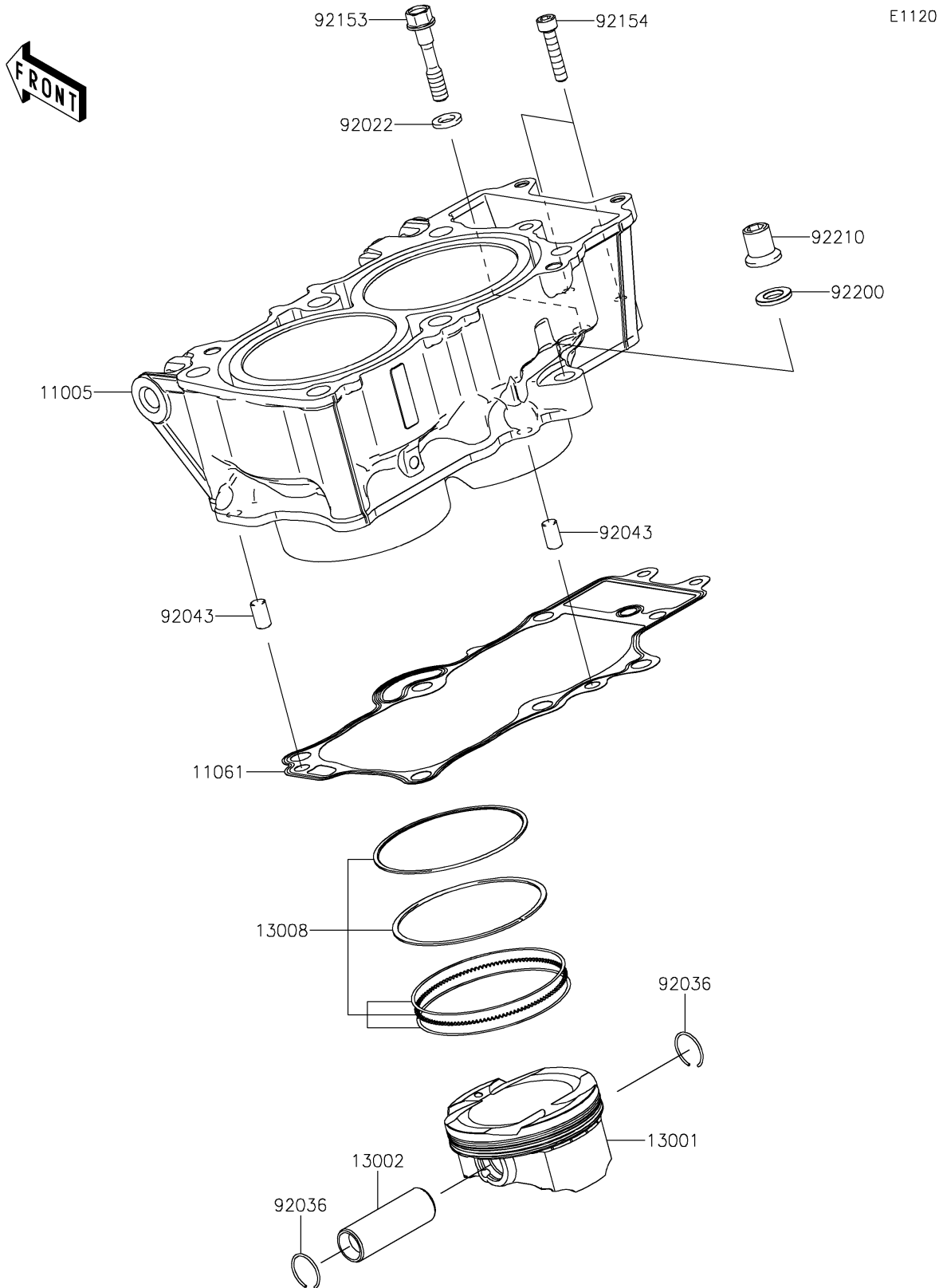


# 2023 NINJA® 650 KRT EDITION

## PARTS DIAGRAM

### Cylinder/Piston(s)



# 2023 NINJA® 650 KRT EDITION

## PARTS LIST

Cylinder/Piston(s)

**ITEM NAME**

**PART NUMBER**

**QUANTITY**

---