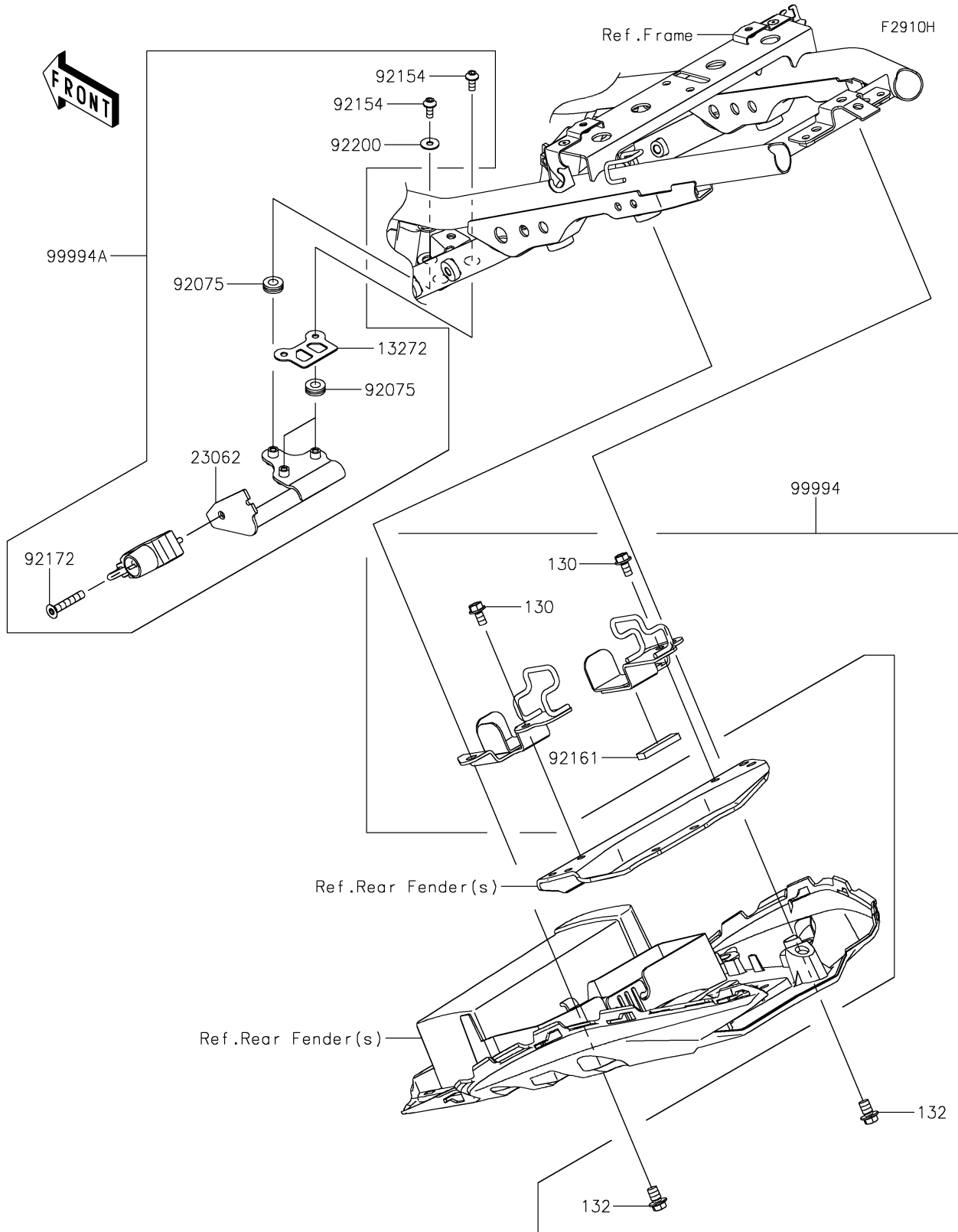


# 2024 Ninja 650

## PARTS DIAGRAM

Accessory(U-Lock Bracket etc.)



# 2024 Ninja 650

## PARTS LIST

Accessory(U-Lock Bracket etc.)

**ITEM NAME**

**PART NUMBER**

**QUANTITY**

---