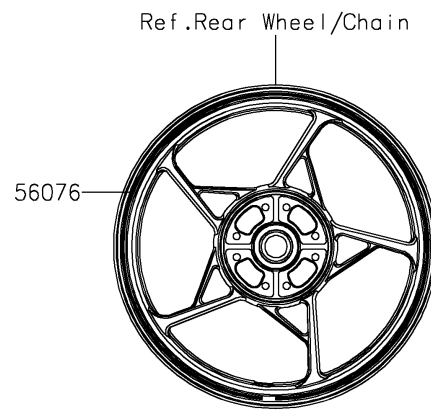
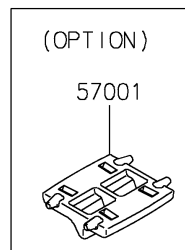
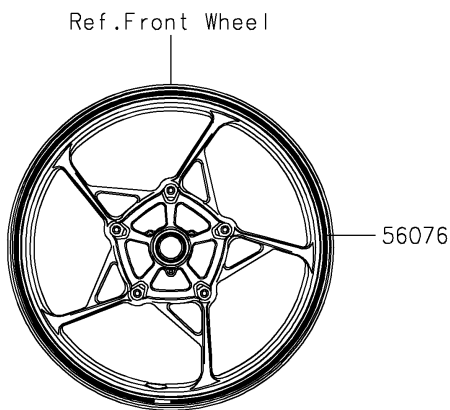
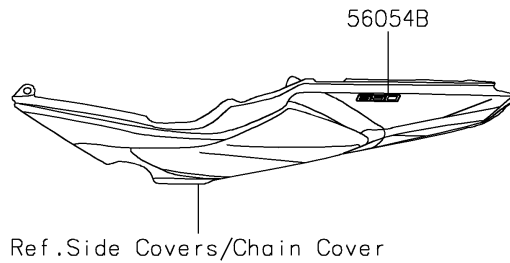
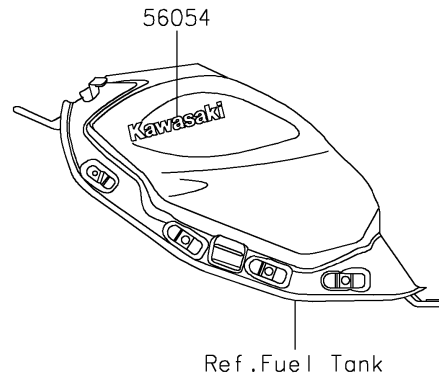
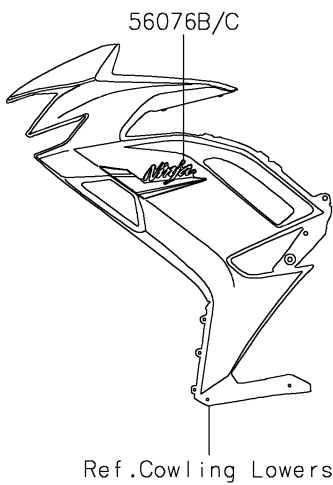
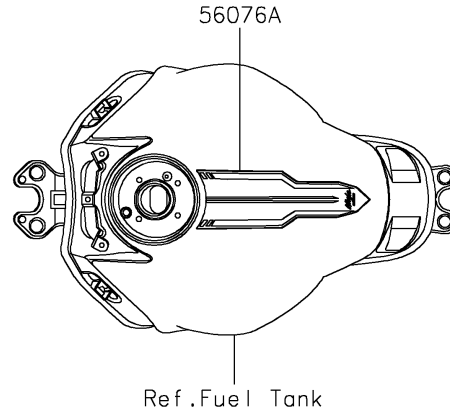
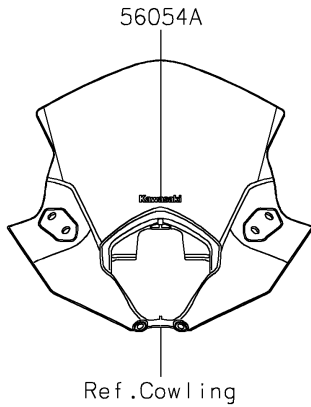


# 2024 Ninja 650

## PARTS DIAGRAM

Decals(M.M.G.Gray)(RRFNN/RRFNL)

F2861C



# 2024 Ninja 650

## PARTS LIST

Decals(M.M.G.Gray)(RRFNN/RRFNL)

**ITEM NAME**

**PART NUMBER**

**QUANTITY**

---