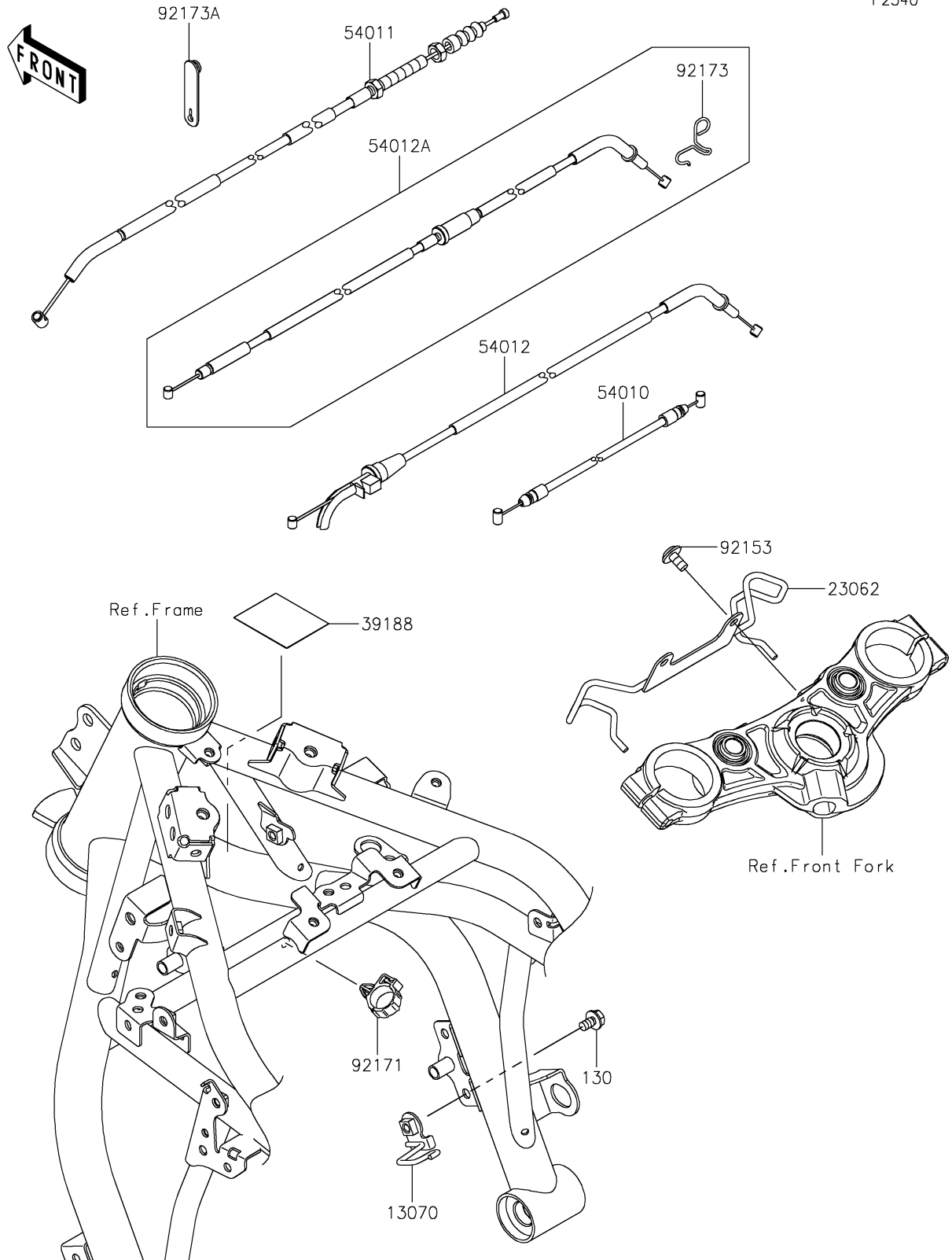


# 2024 Ninja 650

## PARTS DIAGRAM

### Cables



F2540

# 2024 Ninja 650

## PARTS LIST

### Cables

**ITEM NAME**

**PART NUMBER**

**QUANTITY**

---