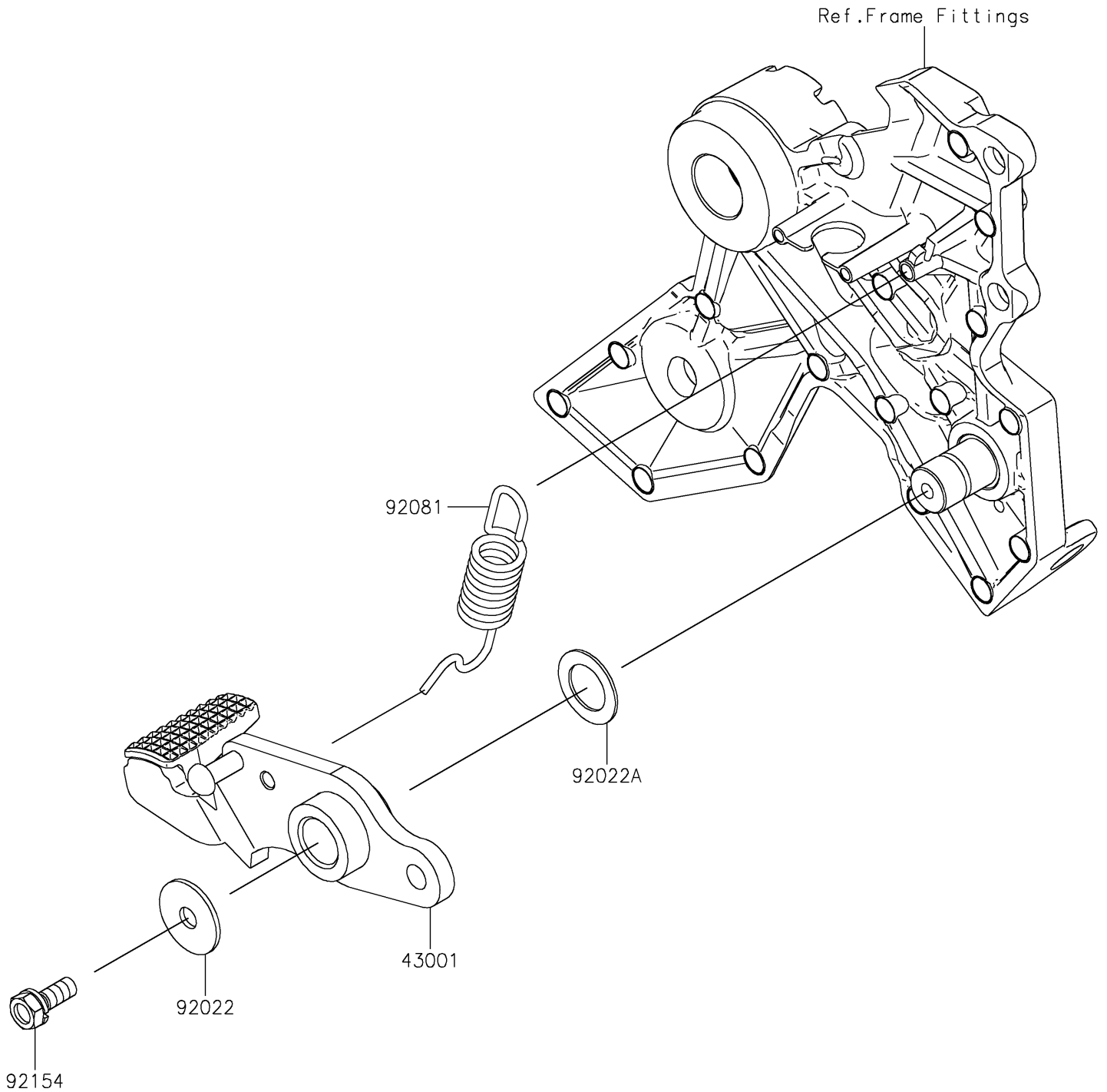


# 2024 Ninja 650

## PARTS DIAGRAM

### Brake Pedal/Torque Link

F2260



# 2024 Ninja 650

## PARTS LIST

### Brake Pedal/Torque Link



ITEM NAME	PART NUMBER	QUANTITY
-----------	-------------	----------

---