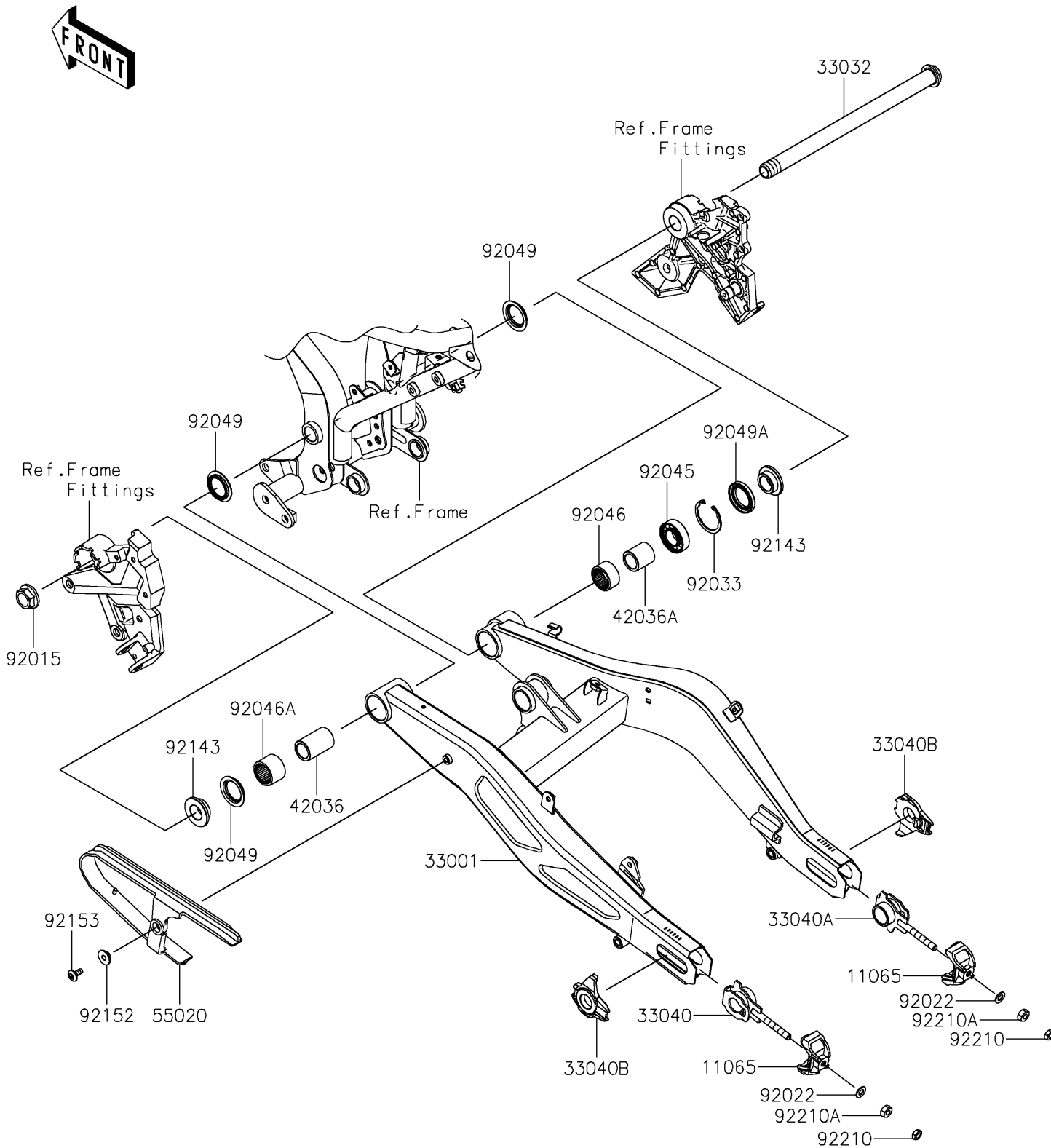


# 2023 NINJA® 650

## PARTS DIAGRAM

### Swingarm

F2141



# 2023 NINJA® 650

## PARTS LIST

### Swingarm

ITEM NAME	PART NUMBER	QUANTITY
CAP,F.S.BLACK (Ref # 11065)	11065-0957-18R	2
ARM-COMP-SWING,F.S.BLACK (Ref # 33001)	33001-0663-18R	1
SHAFT-SWING ARM,20X298 (Ref # 33032)	33032-0050	1
ADJUSTER-CHAIN,IN,LH (Ref # 33040)	33040-0085	1
ADJUSTER-CHAIN,IN,RH (Ref # 33040A)	33040-0086	1
ADJUSTER-CHAIN,OUTER,F.S.BLACK (Ref # 33040B)	33040-0087-18R	2
SLEEVE,20.1X28X43.5 (Ref # 42036)	42036-0785	1
SLEEVE,20.1X28X29.5 (Ref # 42036A)	42036-0786	1
GUARD,CHAIN (Ref # 55020)	55020-2359	1
NUT,FLANGED,20MM (Ref # 92015)	92015-1724	1
WASHER,8.5X16X1.2 (Ref # 92022)	92022-1582	2
RING-SNAP,42MM (Ref # 92033)	92033-1041	1
BEARING-BALL,6004UL11 (Ref # 92045)	92045-0017	1
BEARING-NEEDLE,7E-HVS 28X34X17 (Ref # 92046)	92046-0008	1
BEARING-NEEDLE,BM2824 (Ref # 92046A)	92046-1202	1
SEAL-OIL (Ref # 92049)	92049-0132	3
SEAL-OIL (Ref # 92049A)	92049-0138	1
COLLAR,SWING ARM,RH,L=12.5 (Ref # 92143)	92143-1727	2
COLLAR (Ref # 92152)	92152-2786	1
BOLT,SOCKET,6X14 (Ref # 92153)	92153-1361	1
NUT,8MM (Ref # 92210)	92210-0116	2
NUT,8MM (Ref # 92210A)	92210-0117	2