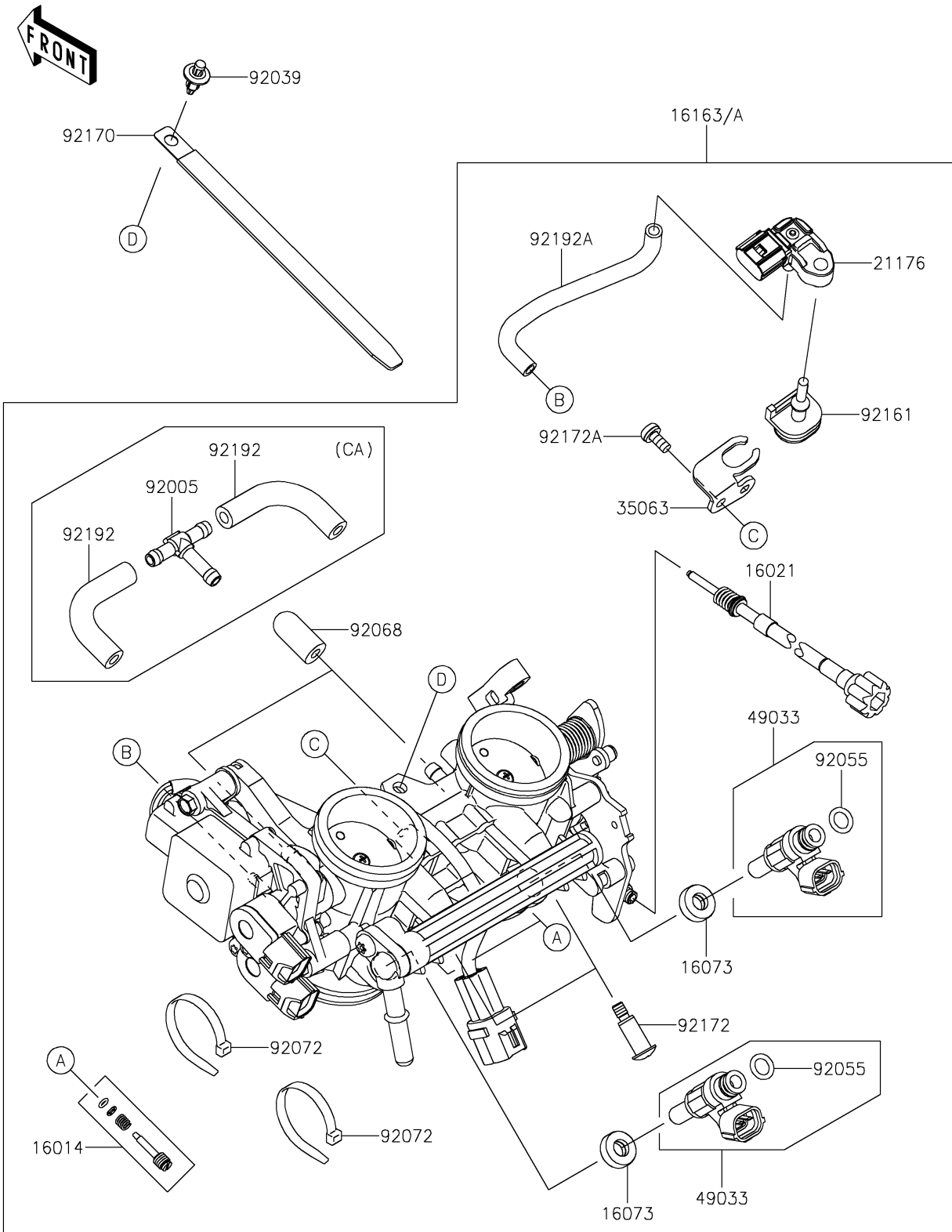


# 2023 Ninja® 650 KRT Edition

## PARTS DIAGRAM

### Throttle

E1510



# 2023 Ninja® 650 KRT Edition

## PARTS LIST

### Throttle

**ITEM NAME**

**PART NUMBER**

**QUANTITY**

---