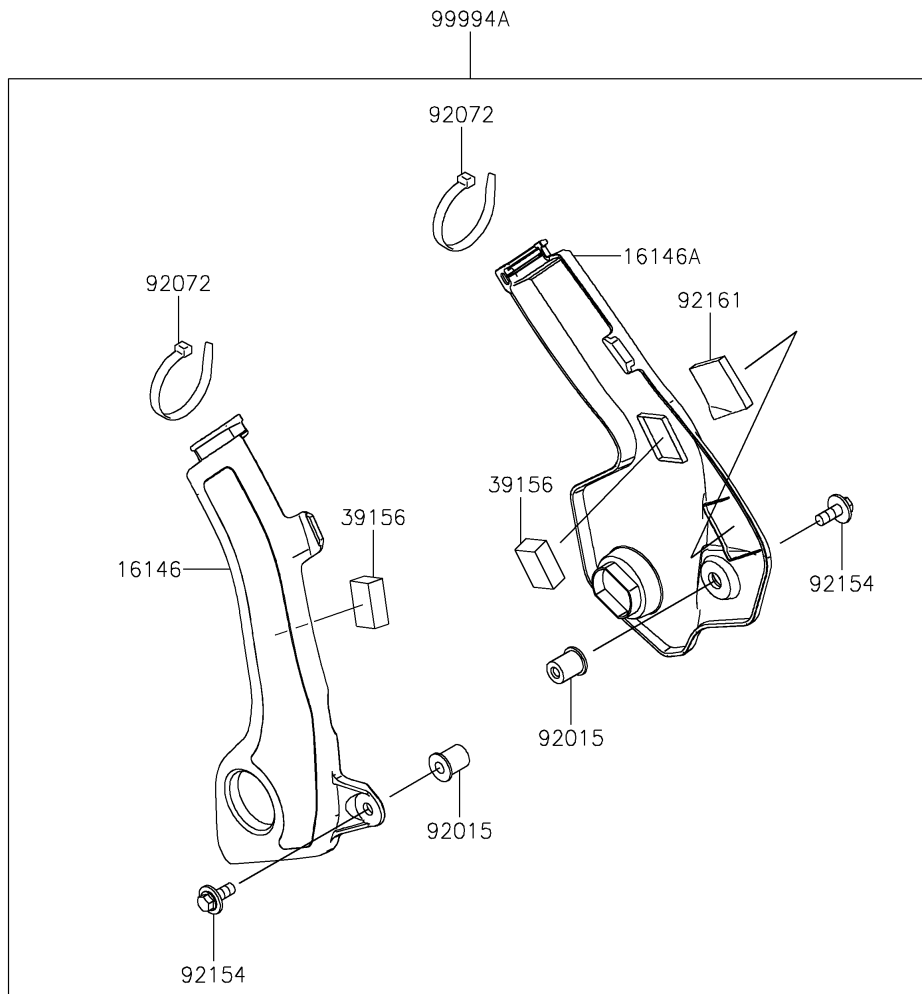


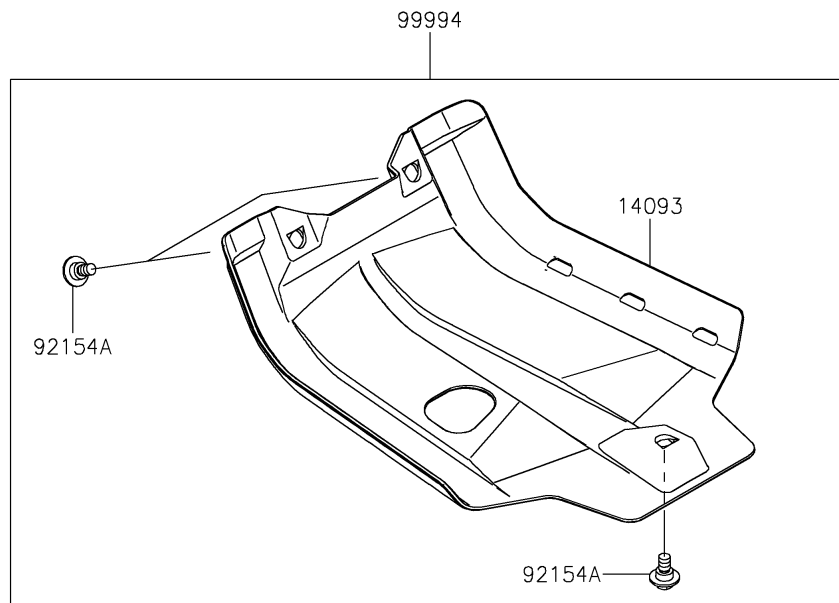
# 2023 KLX<sup>®</sup> 230R S

## PARTS DIAGRAM

### Accessory(Frame Cover)



F2910



# 2023 KLX<sup>®</sup> 230R S

## PARTS LIST

Accessory(Frame Cover)

**ITEM NAME**

**PART NUMBER**

**QUANTITY**

---