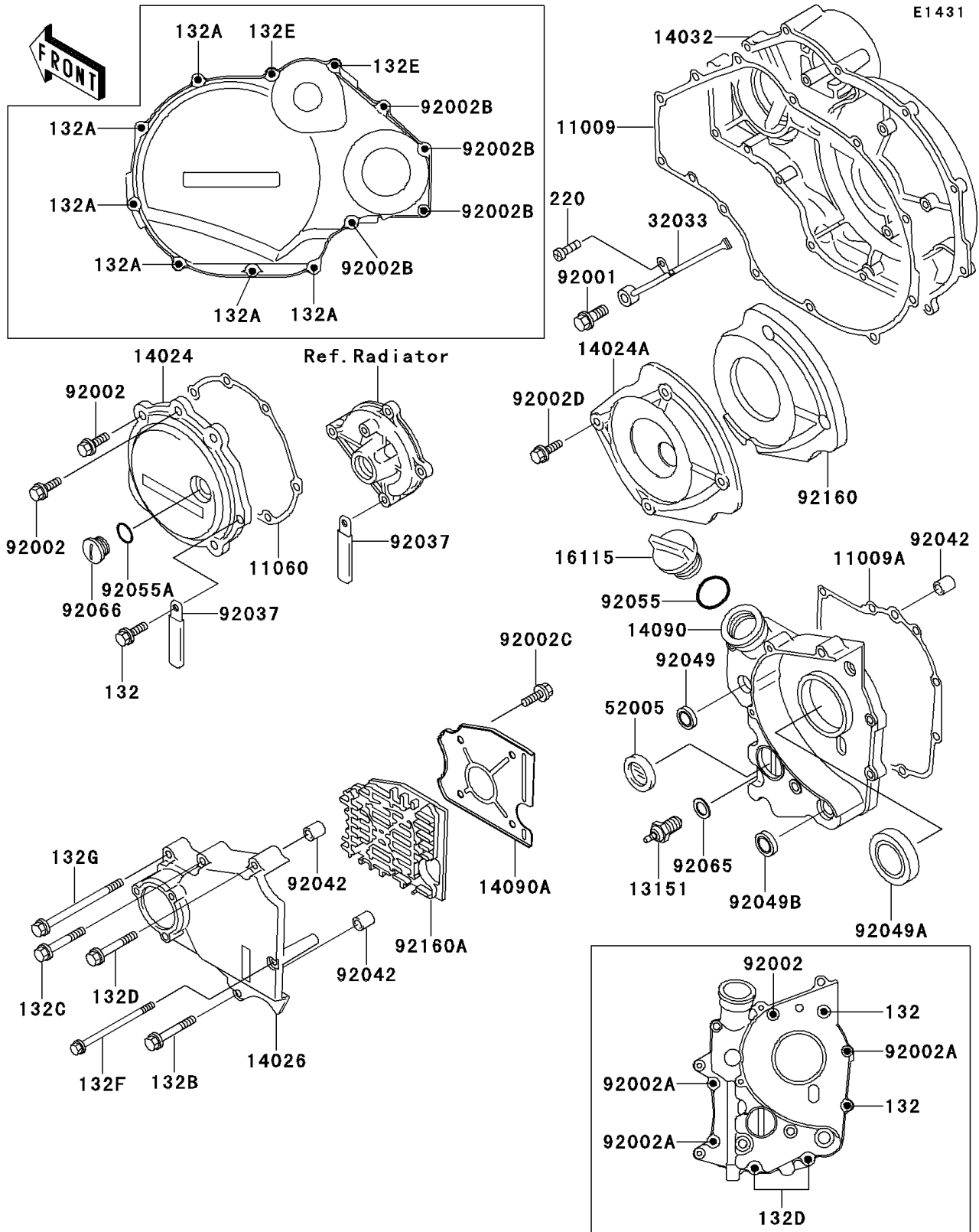


# 2001 Ninja<sup>®</sup> ZX<sup>™</sup>-11

## PARTS DIAGRAM

### Engine Cover(s)



# 2001 Ninja<sup>®</sup> ZX<sup>™</sup>-11

## PARTS LIST

Engine Cover(s)

**ITEM NAME**

**PART NUMBER**

**QUANTITY**

---