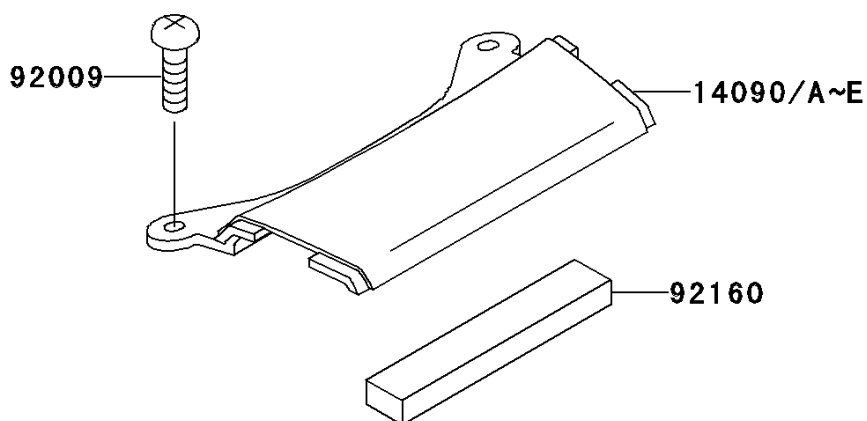
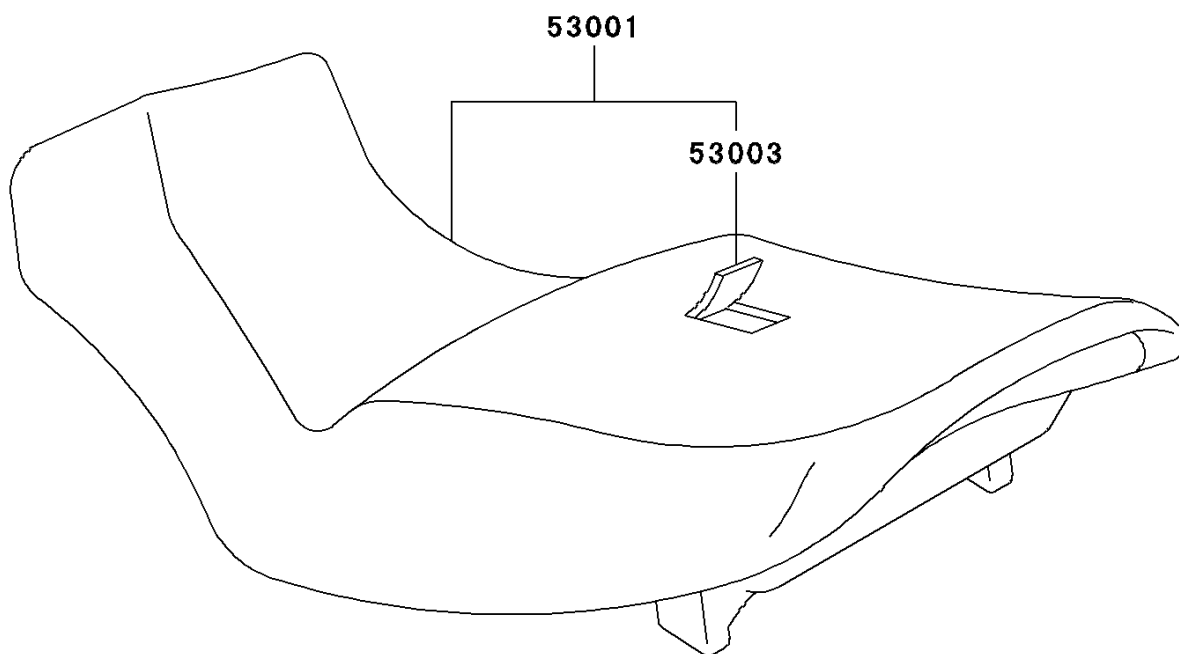


# 1998 Ninja<sup>®</sup> ZX<sup>™</sup>-11

## PARTS DIAGRAM

### Seat

F2510



# 1998 Ninja® ZX™ -11

## PARTS LIST

Seat

**ITEM NAME**

**PART NUMBER**

**QUANTITY**

---