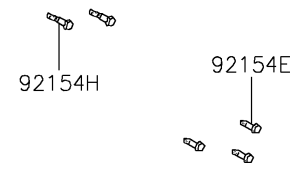
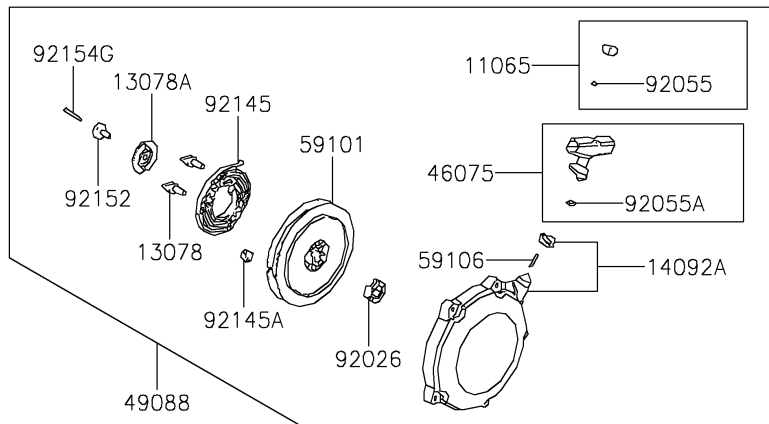
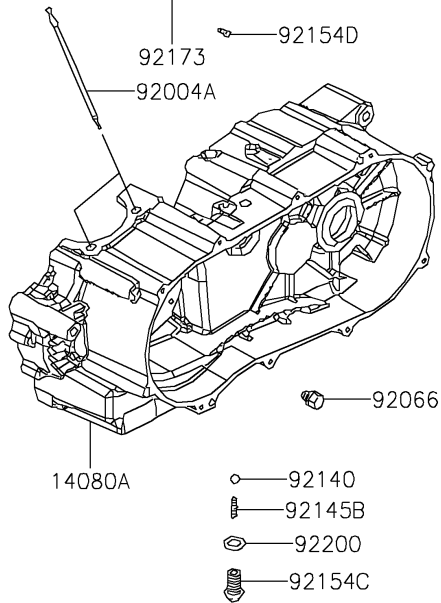
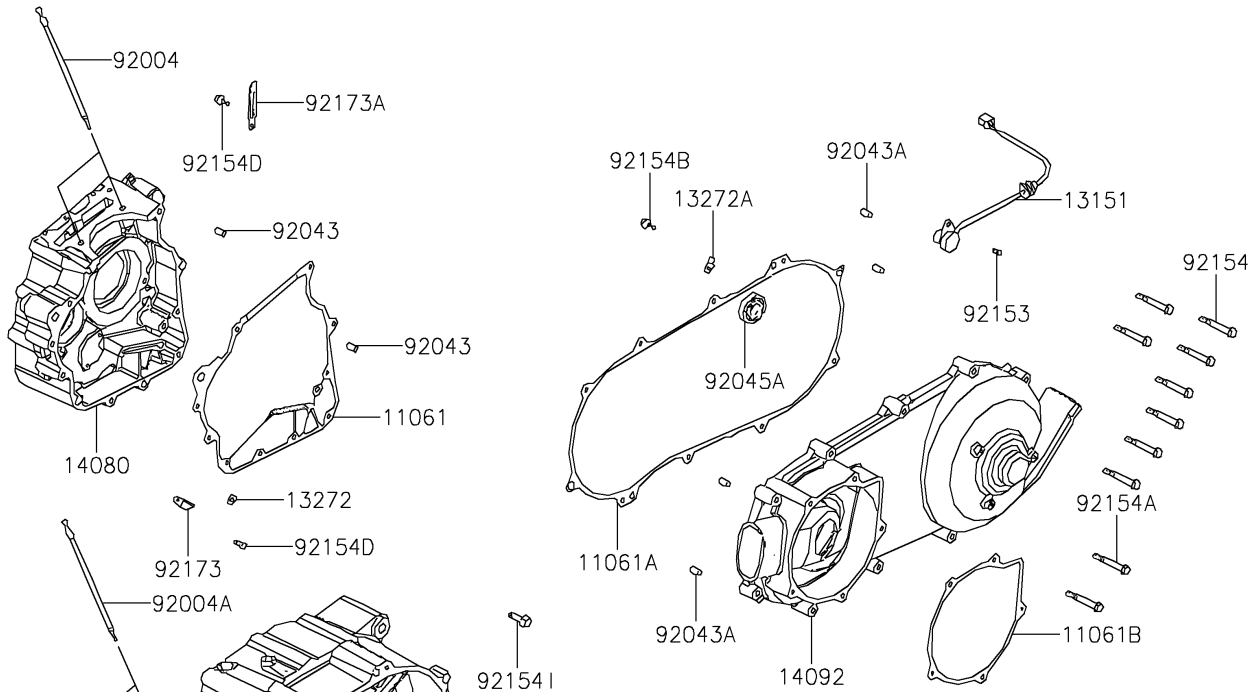
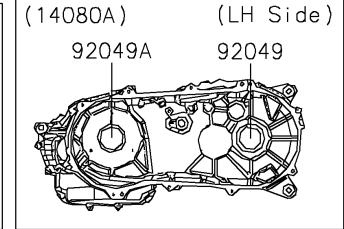
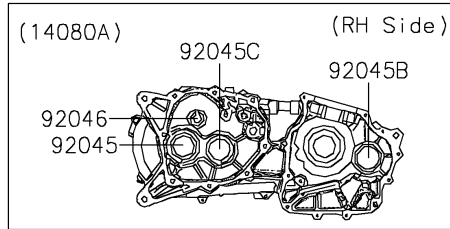
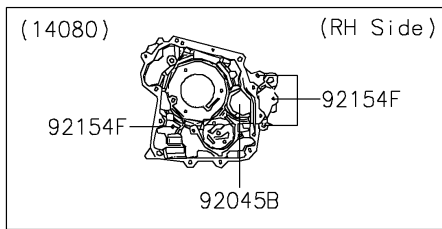


# 2022 BRUTE FORCE® 300

## PARTS DIAGRAM

### Crankcase

E1411



# 2022 BRUTE FORCE® 300

## PARTS LIST

### Crankcase

ITEM NAME	PART NUMBER	QUANTITY
GASKET,CRANK CASE (Ref # 11061)	11061-Y023	1
GASKET,CRANK CASE COVER,LH (Ref # 11061A)	11061-Y024	1
GASKET,RECOIL STARTER (Ref # 11061B)	11061-Y025	1
CAP (Ref # 11065)	11065-Y011	1
RATCHET (Ref # 13078)	13078-Y003	2
RATCHET (Ref # 13078A)	13078-Y004	1
SWITCH-COMP (Ref # 13151)	13151-Y001	1
PLATE (Ref # 13272)	13272-Y003	1
PLATE (Ref # 13272A)	13272-Y004	1
CRANKCASE,RH (Ref # 14080)	14080-Y005	1
CRANKCASE,LH (Ref # 14080A)	14080-Y006	1
COVER,CRANK CASE,LH (Ref # 14092)	14092-Y004	1
COVER,RECOIL STARTER (Ref # 14092A)	14092-Y005	1
GRIP (Ref # 46075)	46075-Y003	1
STARTER-RECOIL (Ref # 49088)	49088-Y001	1
REEL (Ref # 59101)	59101-Y001	1
ROPE (Ref # 59106)	59106-Y001	1
STUD (Ref # 92004)	92004-Y008	2
STUD (Ref # 92004A)	92004-Y009	2
SPACER (Ref # 92026)	92026-Y010	1
PIN,8X14 (Ref # 92043)	92043-Y012	2
PIN,10X16 (Ref # 92043A)	92043-Y013	4
BEARING-BALL,6305 (Ref # 92045)	92045-Y013	1
BEARING-BALL,6005LLU (Ref # 92045A)	92045-Y014	1
BEARING-BALL,6205 (Ref # 92045B)	92045-Y015	2
BEARING-BALL,6304 (Ref # 92045C)	92045-Y016	1
BEARING-NEEDLE (Ref # 92046)	92046-Y004	1
SEAL-OIL,25X40X8 (Ref # 92049)	92049-Y010	1
SEAL-OIL,27X42X7 (Ref # 92049A)	92049-Y049	1

# 2022 BRUTE FORCE® 300

## PARTS LIST

### Crankcase

ITEM NAME	PART NUMBER	QUANTITY
RING-O,17.8X2.4 (Ref # 92055)	92055-Y019	1
RING-O,16.7X3.2 (Ref # 92055A)	92055-Y034	1
PLUG,DRAIN (Ref # 92066)	92066-Y014	1
BALL,STEEL 12 (Ref # 92140)	92140-Y001	1
SPRING (Ref # 92145)	92145-Y022	1
SPRING (Ref # 92145A)	92145-Y023	1
SPRING (Ref # 92145B)	92145-Y024	1
COLLAR (Ref # 92152)	92152-Y015	1
BOLT,FLANGE,6X10 (Ref # 92153)	92153-Y045	1
BOLT,FLANGED,6X28 (Ref # 92154)	92154-Y001	8
BOLT,FLANGED,6X40 (Ref # 92154A)	92154-Y002	2
BOLT,SOCKET,6X10 (Ref # 92154B)	92154-Y003	2
BOLT,14X21 (Ref # 92154C)	92154-Y004	1
BOLT,FLANGE,6X12 (Ref # 92154D)	92154-Y035	2
BOLT,FLANGE,6X25 (Ref # 92154E)	92154-Y066	3
BOLT,FLANGED,6X50 (Ref # 92154F)	92154-Y126	4
BOLT,HEX,5X25 (Ref # 92154G)	92154-Y127	1
BOLT,FLANGE,6X32 (Ref # 92154H)	92154-Y128	2
BOLT,SOCKET,6X10 (Ref # 92154I)	92154-Y129	1
CLAMP (Ref # 92173)	92173-Y001	1
CLAMP (Ref # 92173A)	92173-Y002	1
WASHER (Ref # 92200)	92200-Y023	1