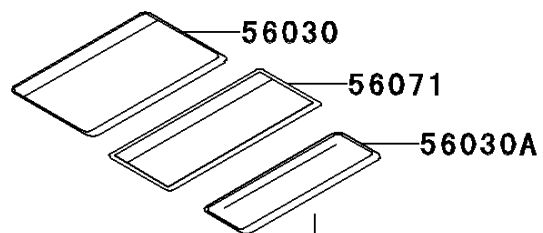
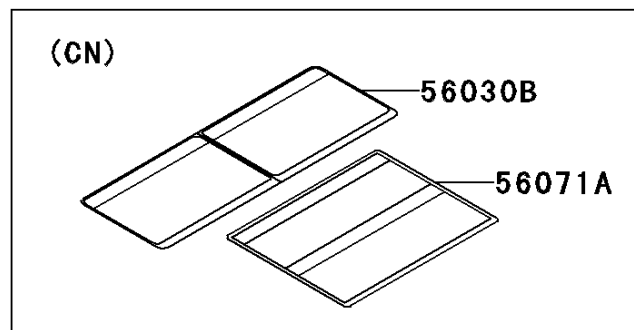


2009 KX™ 450F

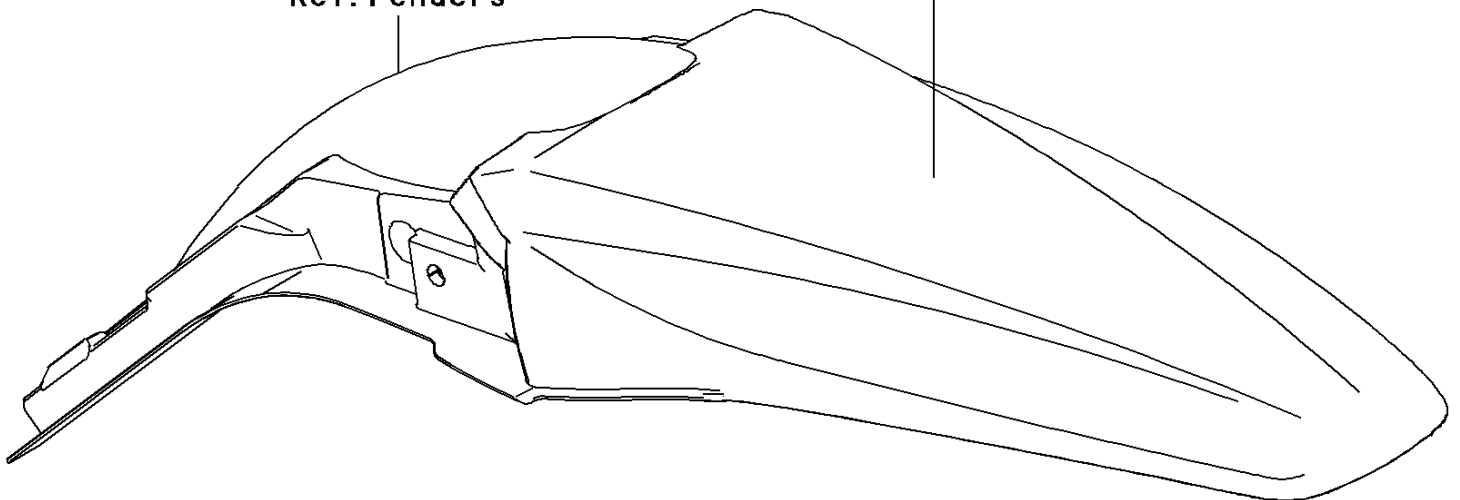
PARTS DIAGRAM

Labels

F2860



Ref. Fenders



2009 KX™ 450F

PARTS LIST

Labels

ITEM NAME

PART NUMBER

QUANTITY
