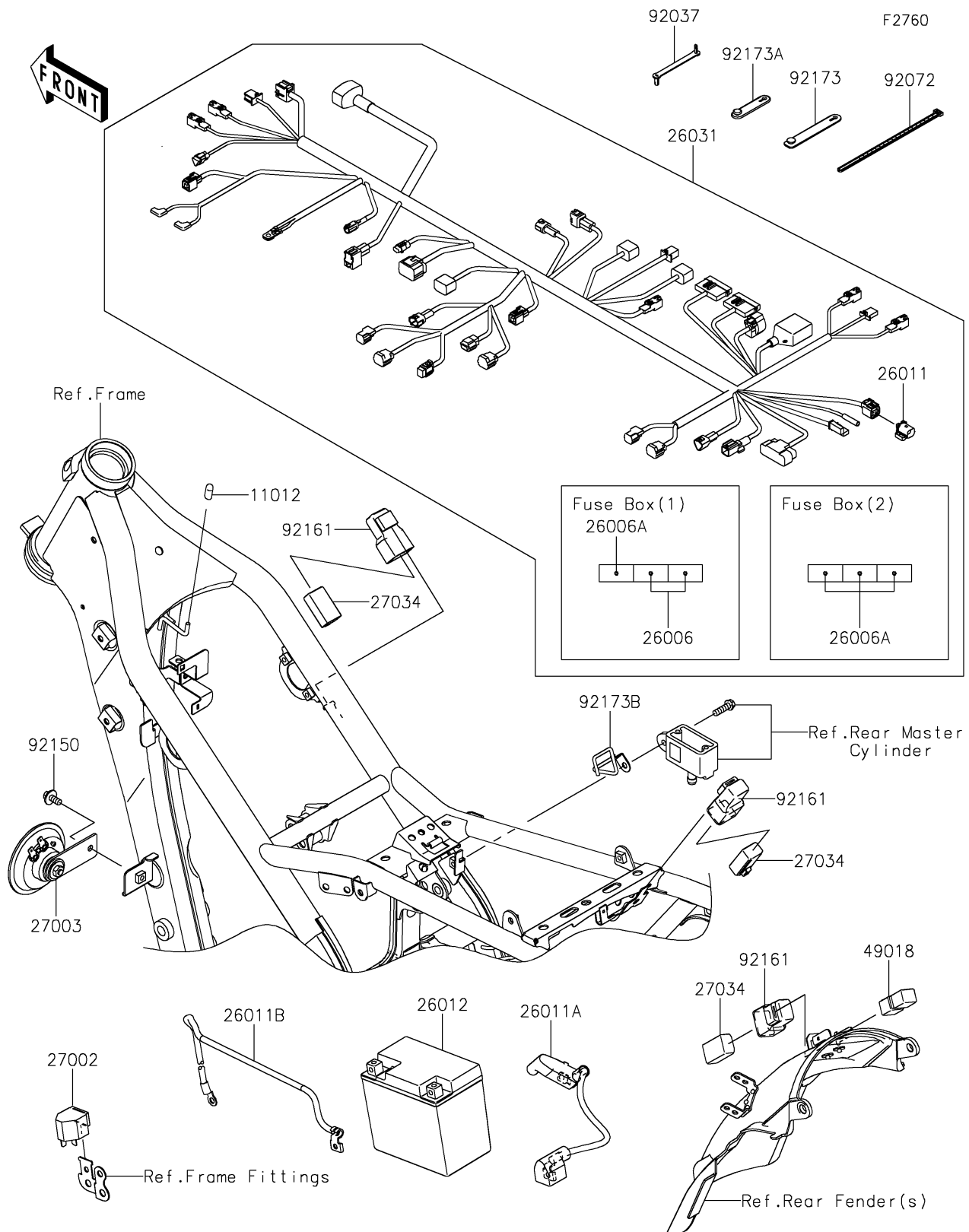


# 2022 KLX<sup>®</sup>300

## PARTS DIAGRAM

### Chassis Electrical Equipment



# 2022 KLX<sup>®</sup> 300

## PARTS LIST

### Chassis Electrical Equipment

**Kawasaki**

Let the Good Times Roll<sup>®</sup>

**ITEM NAME**

**PART NUMBER**

**QUANTITY**

---