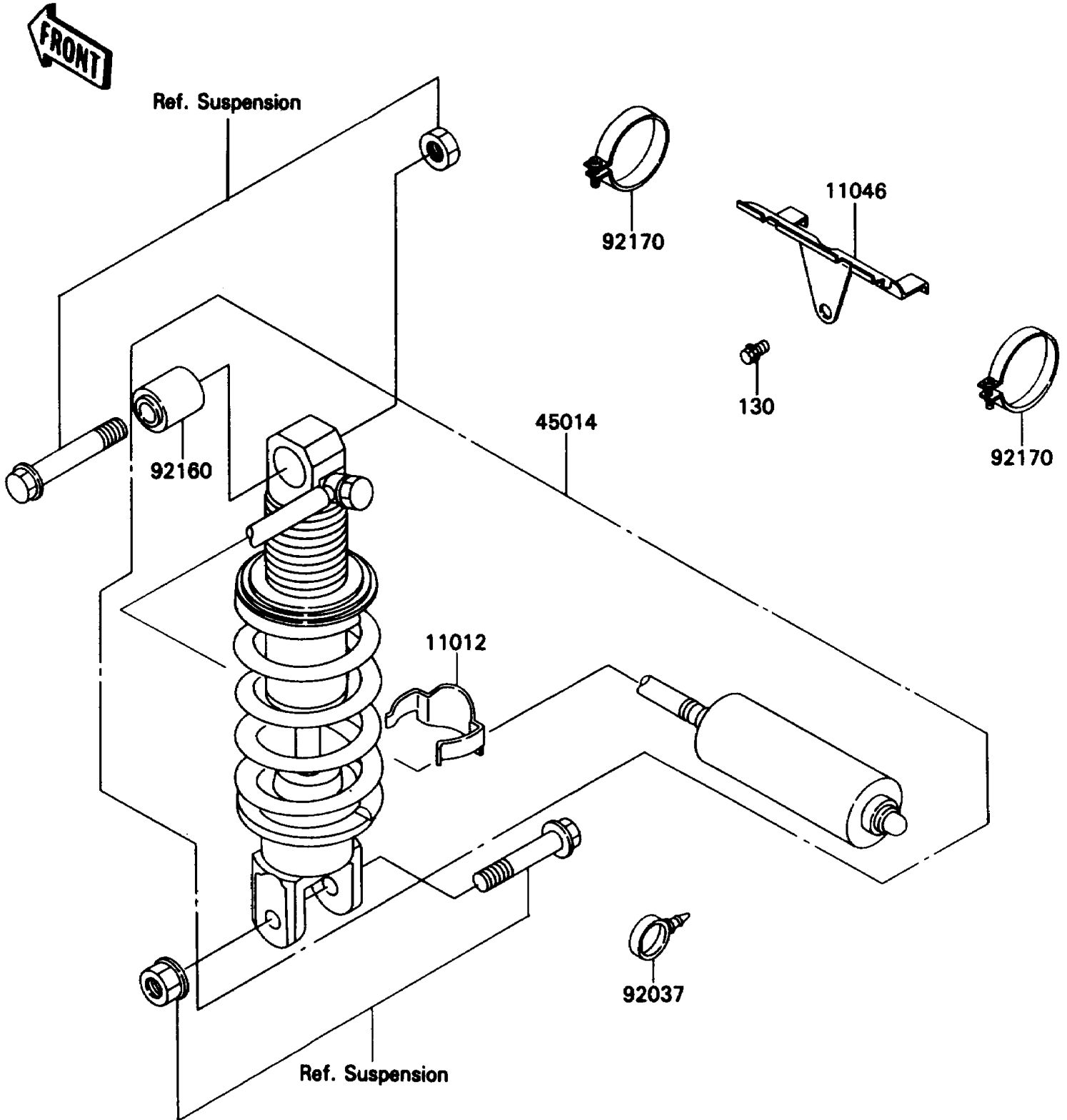


1990 Ninja[®] ZX[™]-11

PARTS DIAGRAM

Shock Absorber

F2280



1990 Ninja® ZX™-11

PARTS LIST

Shock Absorber

| ITEM NAME | PART NUMBER | QUANTITY |
|-------------------------------------|-------------|----------|
| CAP,SHOCKABSORBER (Ref # 11012) | 11012-1398 | 1 |
| BRACKET,GAS TANK (Ref # 11046) | 11046-1935 | 1 |
| SHOCKABSORBER (Ref # 45014) | 45014-1465 | 1 |
| CLAMP,HOSE (Ref # 92037) | 92037-1827 | 2 |
| DAMPER,SHOCKABSORBER (Ref # 92160) | 92160-1161 | 1 |
| CLAMP (Ref # 92170) | 92170-1280 | 2 |
| BOLT-FLANGED,6X14,BLACK (Ref # 130) | 130J0614 | 1 |