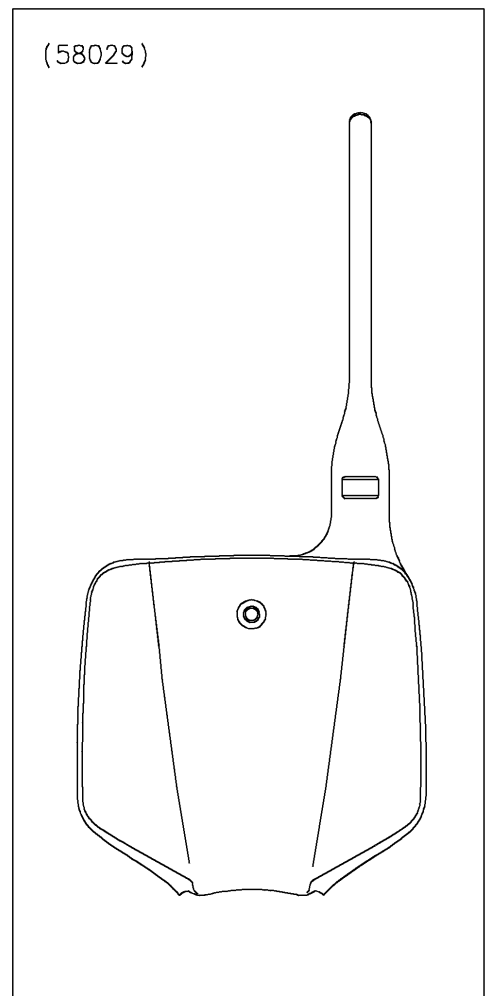
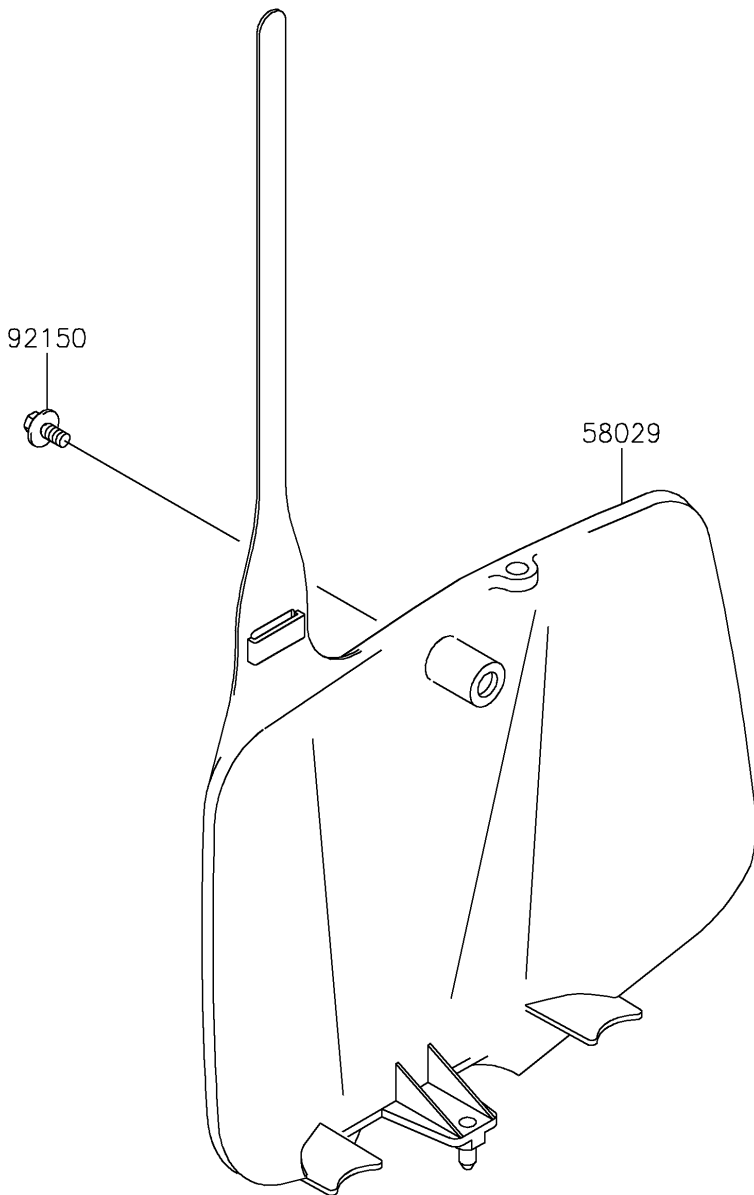


# 2022 KX™ 65

## PARTS DIAGRAM

### Accessory

F2910



WOD

# 2022 KX™ 65

## PARTS LIST

### Accessory

**ITEM NAME**

**PART NUMBER**

**QUANTITY**

---