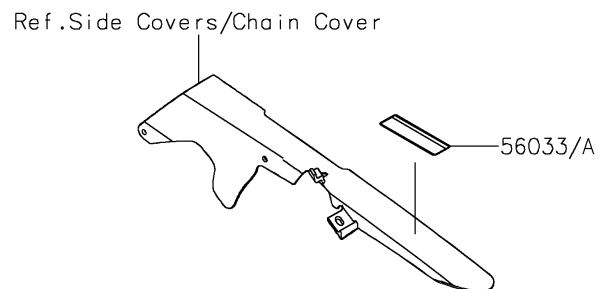
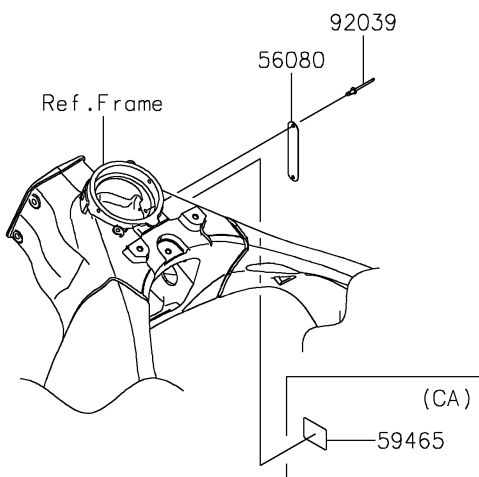
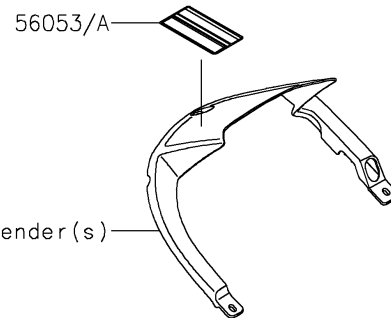
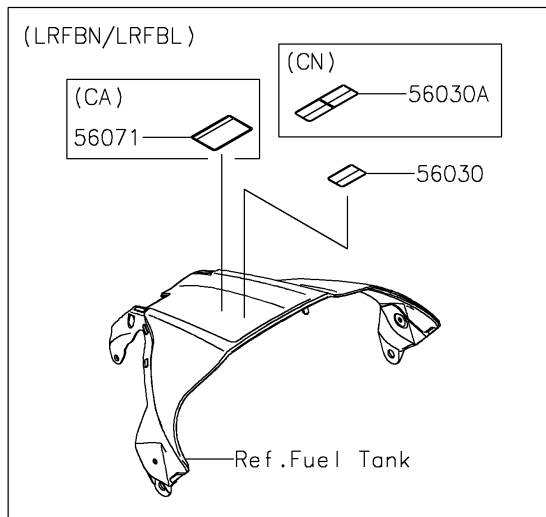
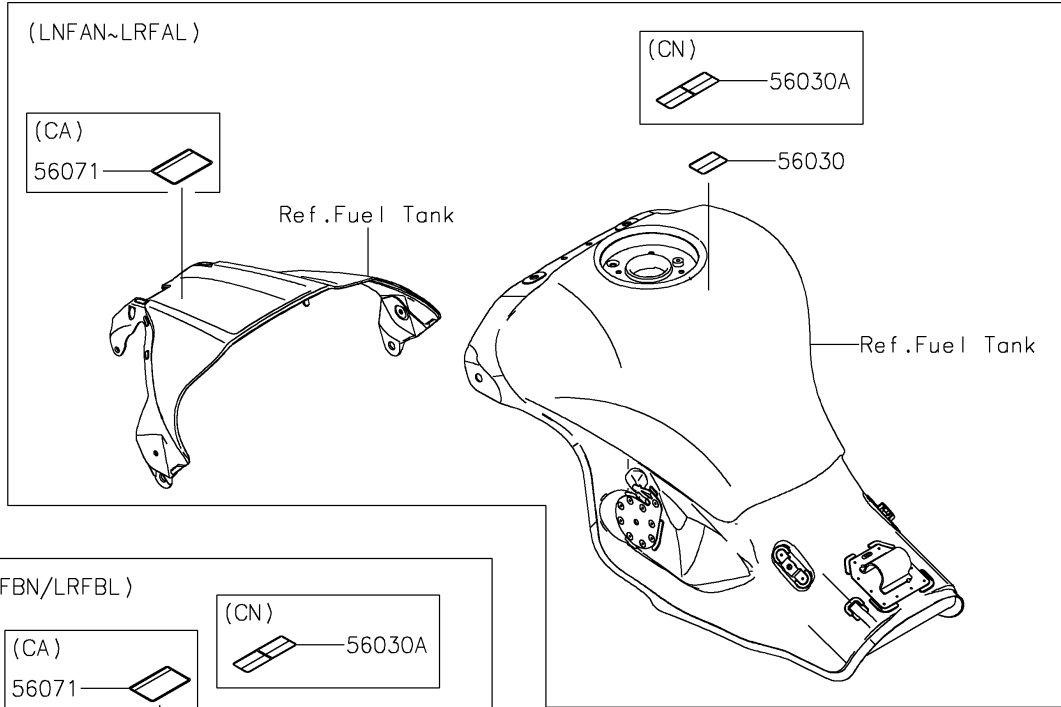


2023 Ninja® ZX-10R ABS KRT Edition

PARTS DIAGRAM

Labels

F2860



2023 Ninja® ZX-10R ABS KRT Edition



PARTS LIST

Labels

ITEM NAME	PART NUMBER	QUANTITY
-----------	-------------	----------
