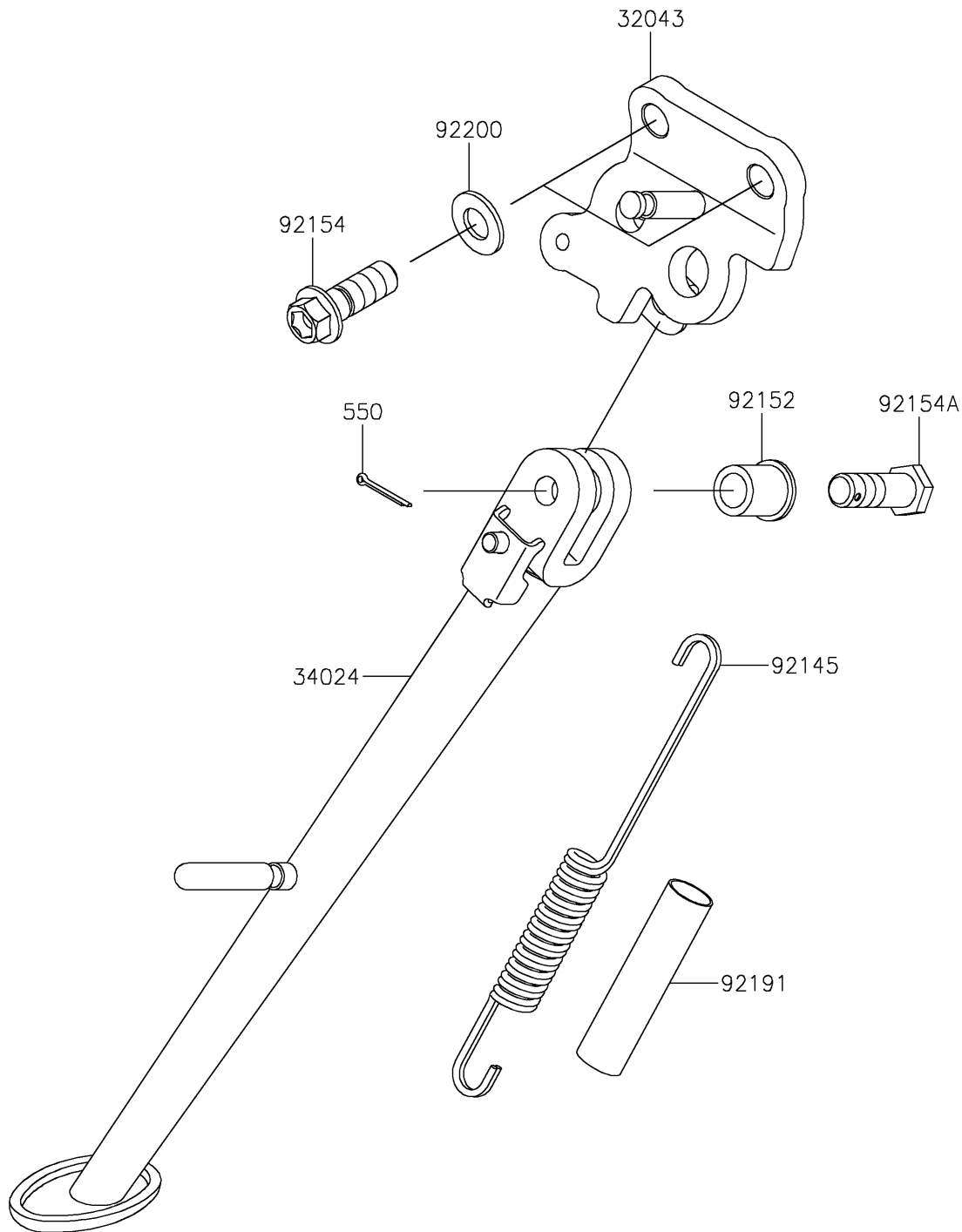


# 2023 Ninja® ZX-10R ABS KRT Edition

## PARTS DIAGRAM

Stand(s)

F2190



# 2023 Ninja<sup>®</sup> ZX-10R ABS KRT Edition



## PARTS LIST

Stand(s)

**ITEM NAME**

**PART NUMBER**

**QUANTITY**

---