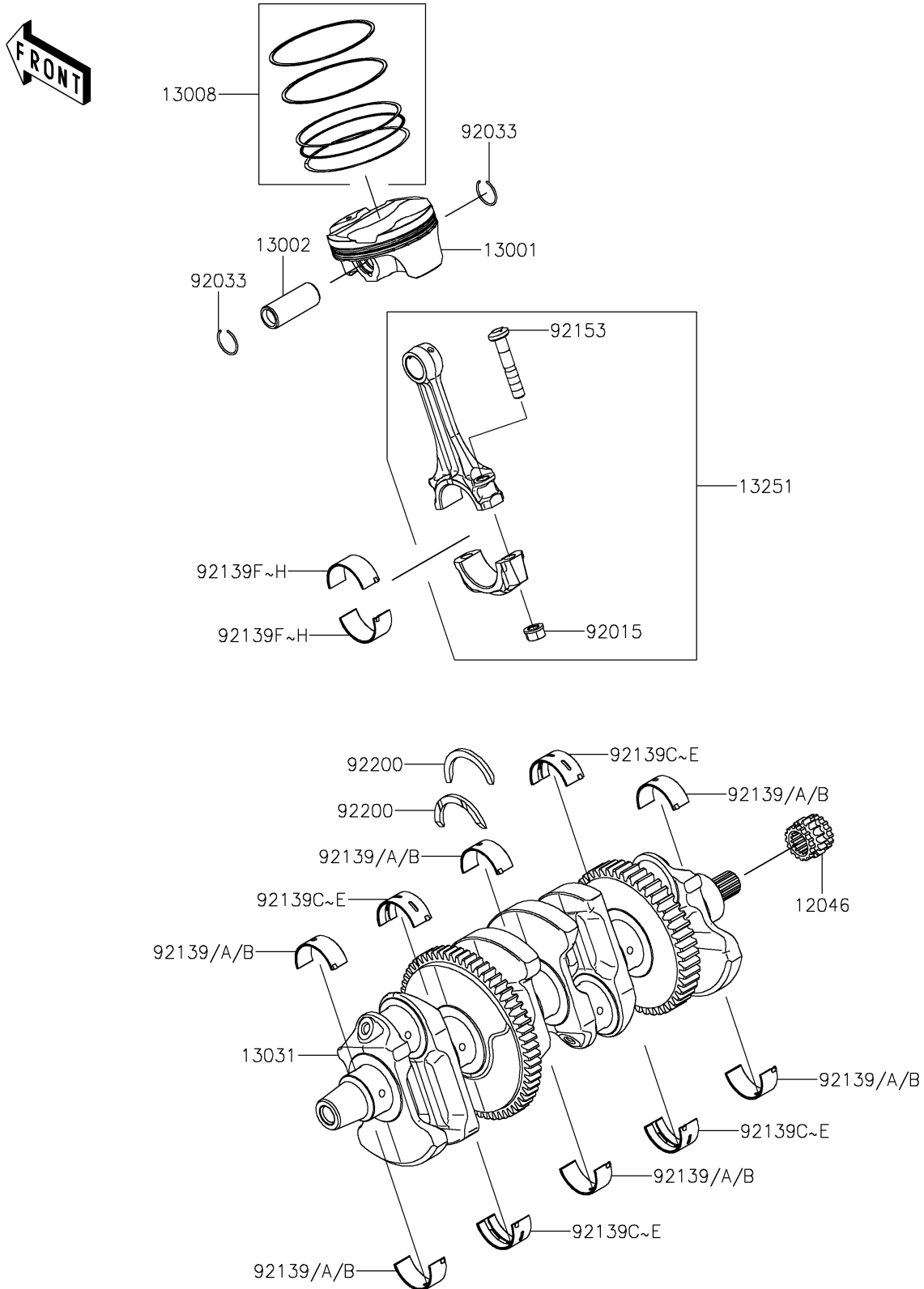


# 2023 Ninja® ZX-10R ABS KRT Edition

## PARTS DIAGRAM Crankshaft/Piston(s)

E1320



# 2023 Ninja<sup>®</sup> ZX-10R ABS KRT Edition



## PARTS LIST

### Crankshaft/Piston(s)

ITEM NAME	PART NUMBER	QUANTITY
-----------	-------------	----------

---