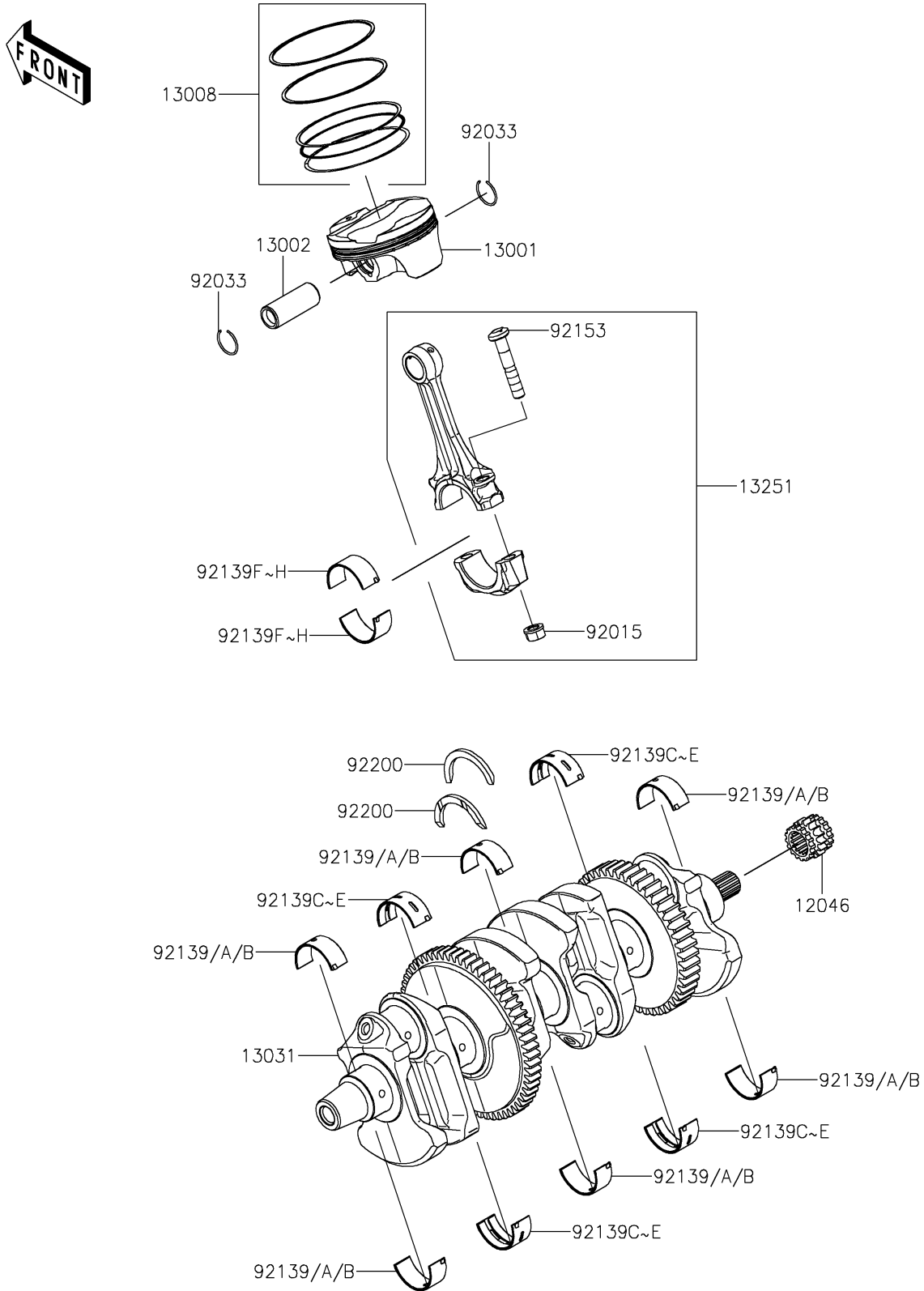


# 2022 Ninja® ZX™-10R ABS

## PARTS DIAGRAM

### Crankshaft/Piston(s)

E1320



# 2022 Ninja® ZX™-10R ABS

## PARTS LIST

### Crankshaft/Piston(s)

**ITEM NAME**

**PART NUMBER**

**QUANTITY**

---