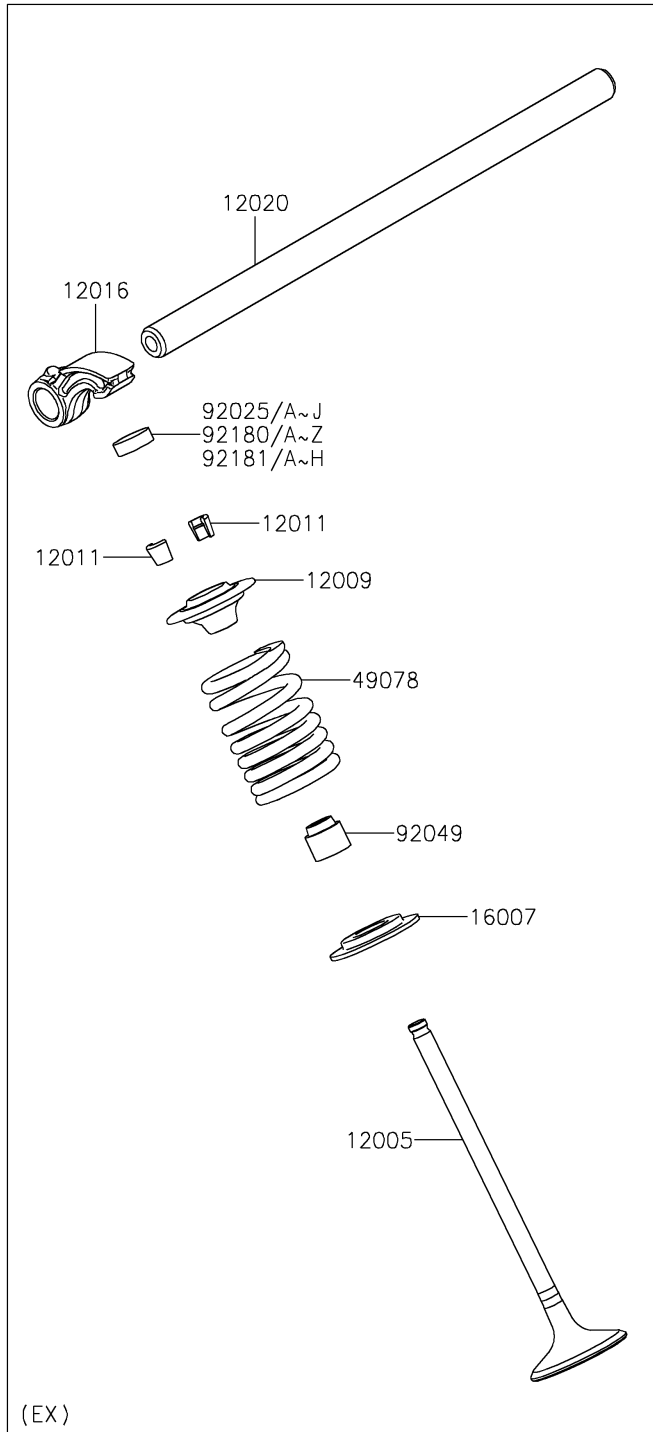


# 2023 Ninja<sup>®</sup> ZX-10R ABS KRT Edition

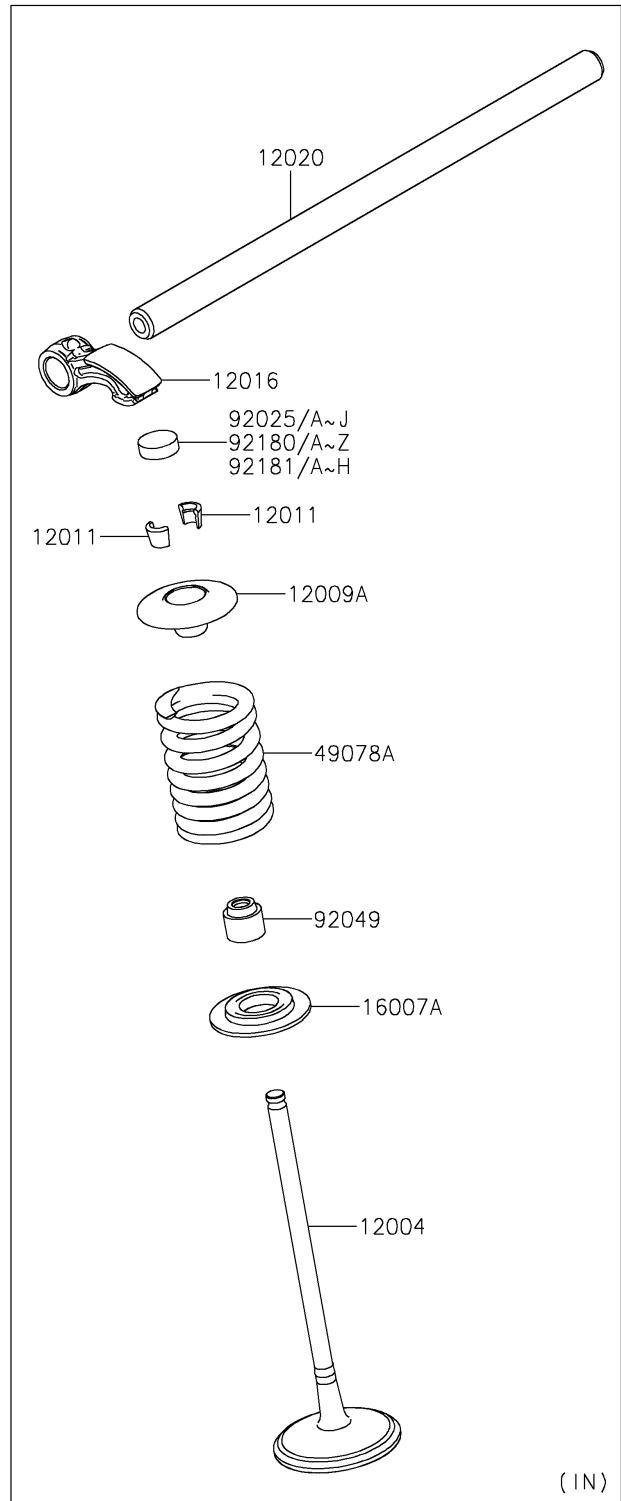
## PARTS DIAGRAM

### Valve(s)

E1210



(EX)



(IN)

# 2023 Ninja® ZX-10R ABS KRT Edition



## PARTS LIST

Valve(s)

ITEM NAME	PART NUMBER	QUANTITY
-----------	-------------	----------

---