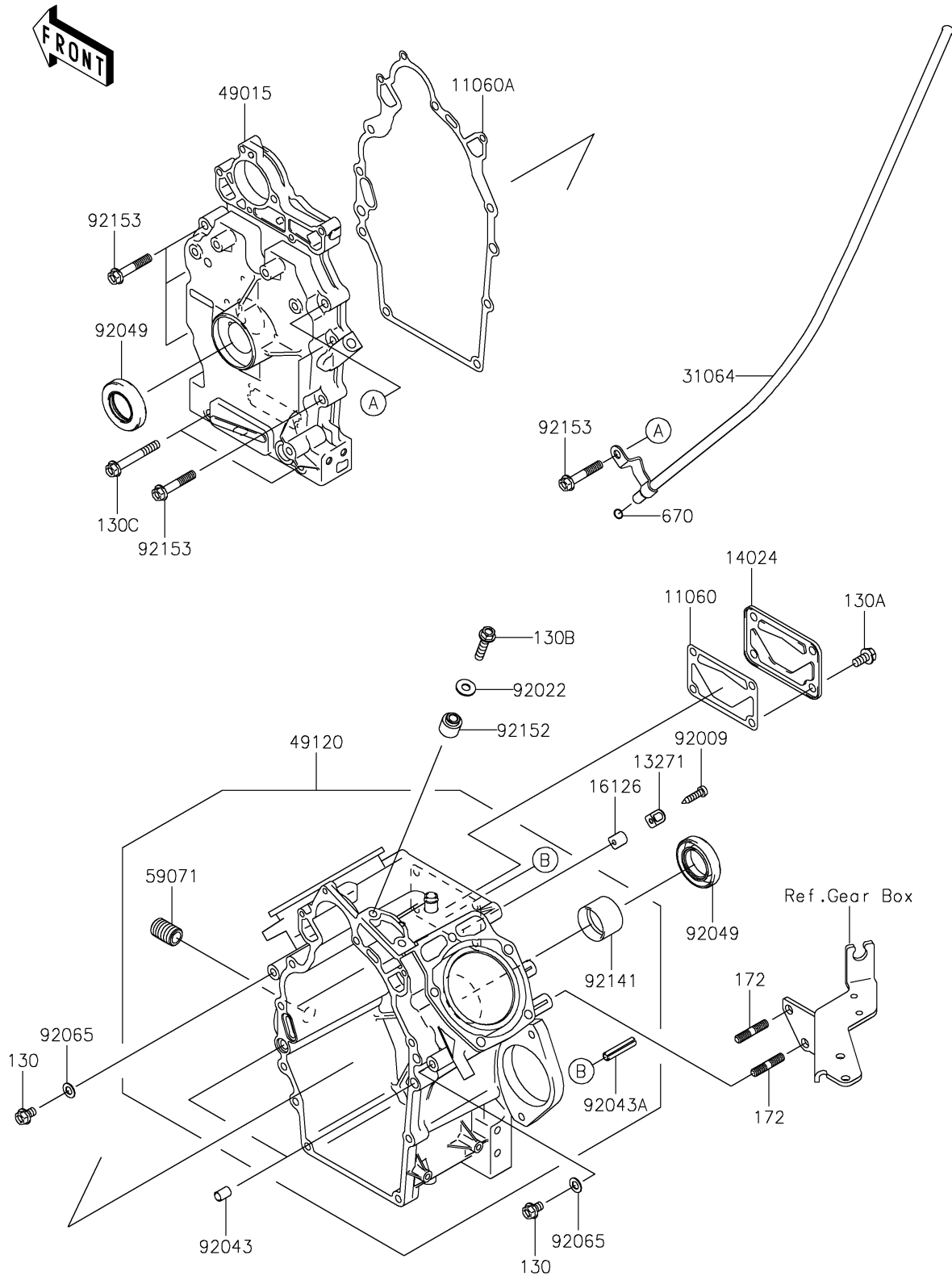


# 2023 MULE™ 4010 TRANS4x4® FE

## PARTS DIAGRAM

### Crankcase

E1411



# 2023 MULE™ 4010 TRANS4x4® FE



## PARTS LIST

### Crankcase

ITEM NAME	PART NUMBER	QUANTITY
-----------	-------------	----------

---