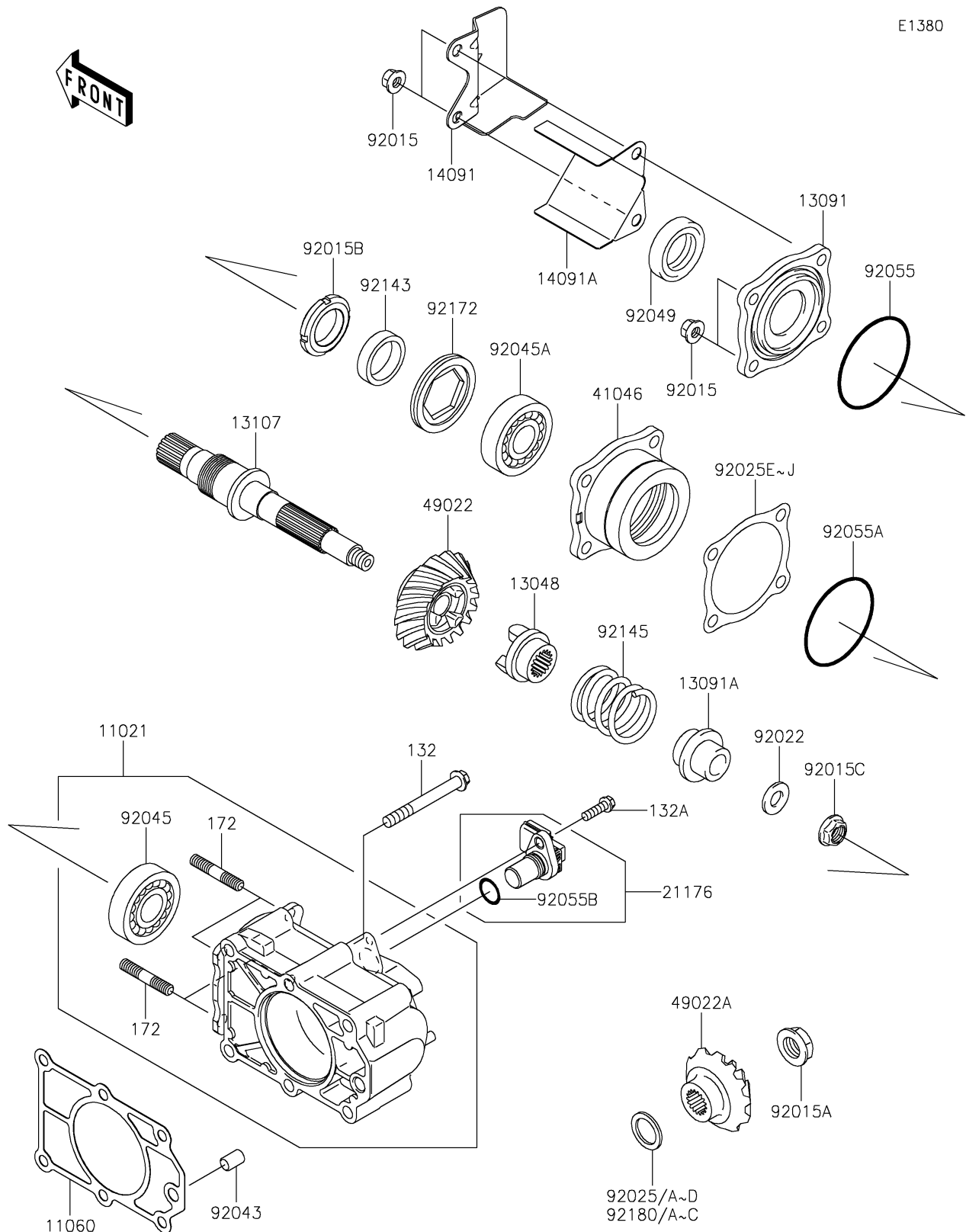


# 2023 MULE™ 4010 TRANS4x4® FE

## PARTS DIAGRAM

### Bevel Gear Case



# 2023 MULE™ 4010 TRANS4x4® FE



## PARTS LIST

### Bevel Gear Case

| ITEM NAME | PART NUMBER | QUANTITY |
|-----------|-------------|----------|
|-----------|-------------|----------|

---