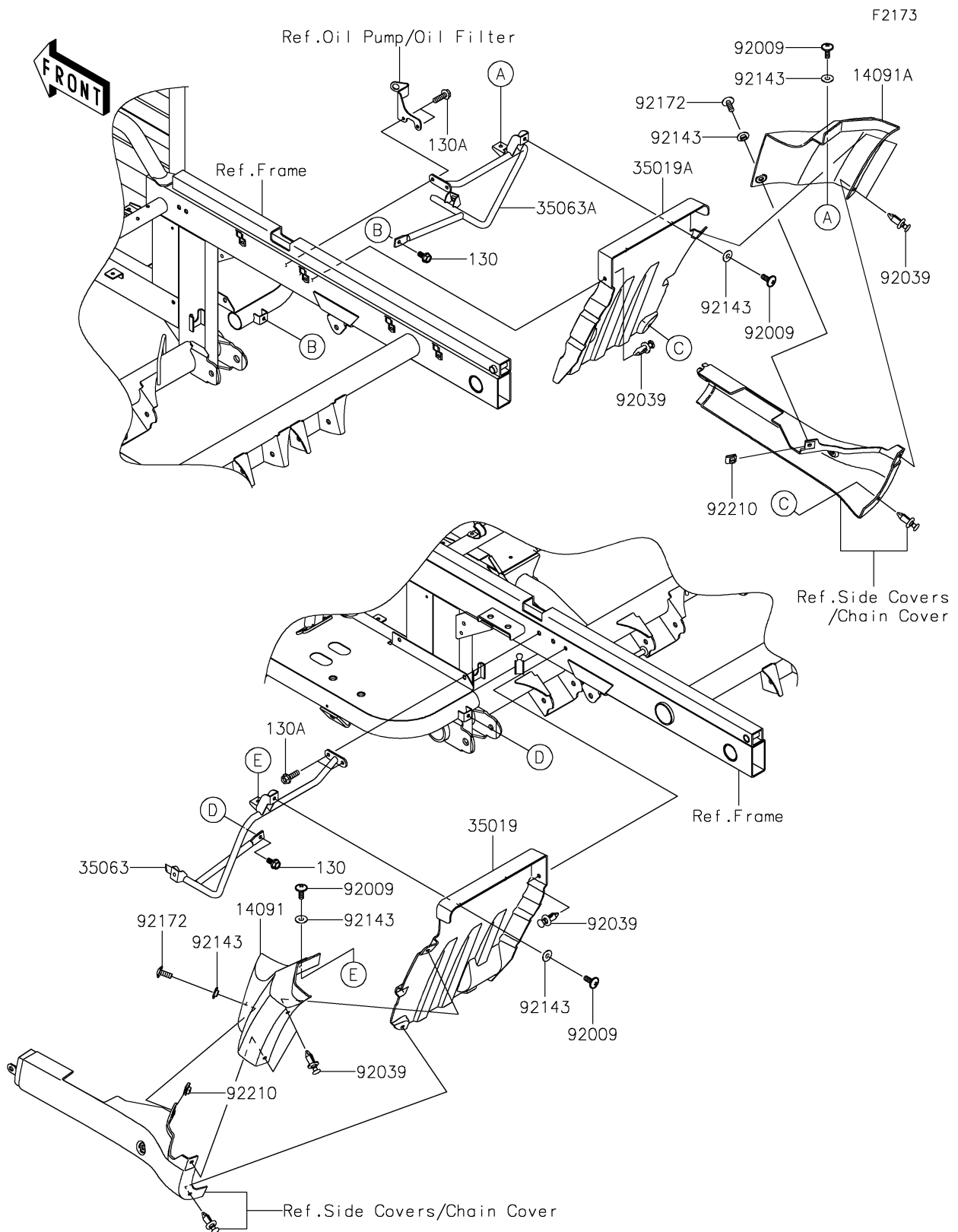


# 2022 MULE™ 4000

## PARTS DIAGRAM

### Flap



# 2022 MULE™ 4000

## PARTS LIST

Flap

**ITEM NAME**

**PART NUMBER**

**QUANTITY**

---