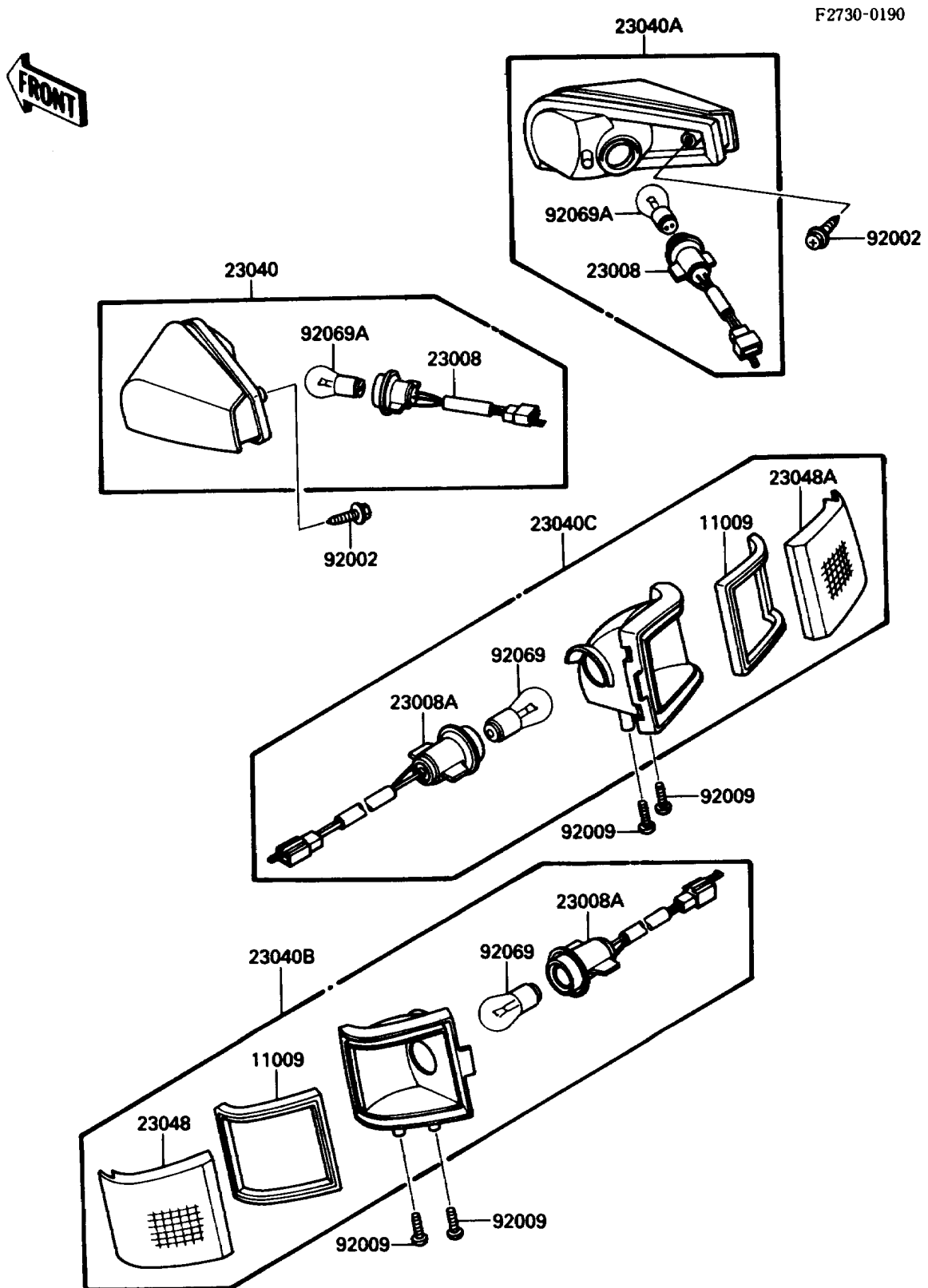


1988 NINJA[®] ZX-10

PARTS DIAGRAM

Turn Signals



1988 NINJA[®] ZX-10

PARTS LIST

Turn Signals

ITEM NAME

PART NUMBER

QUANTITY
