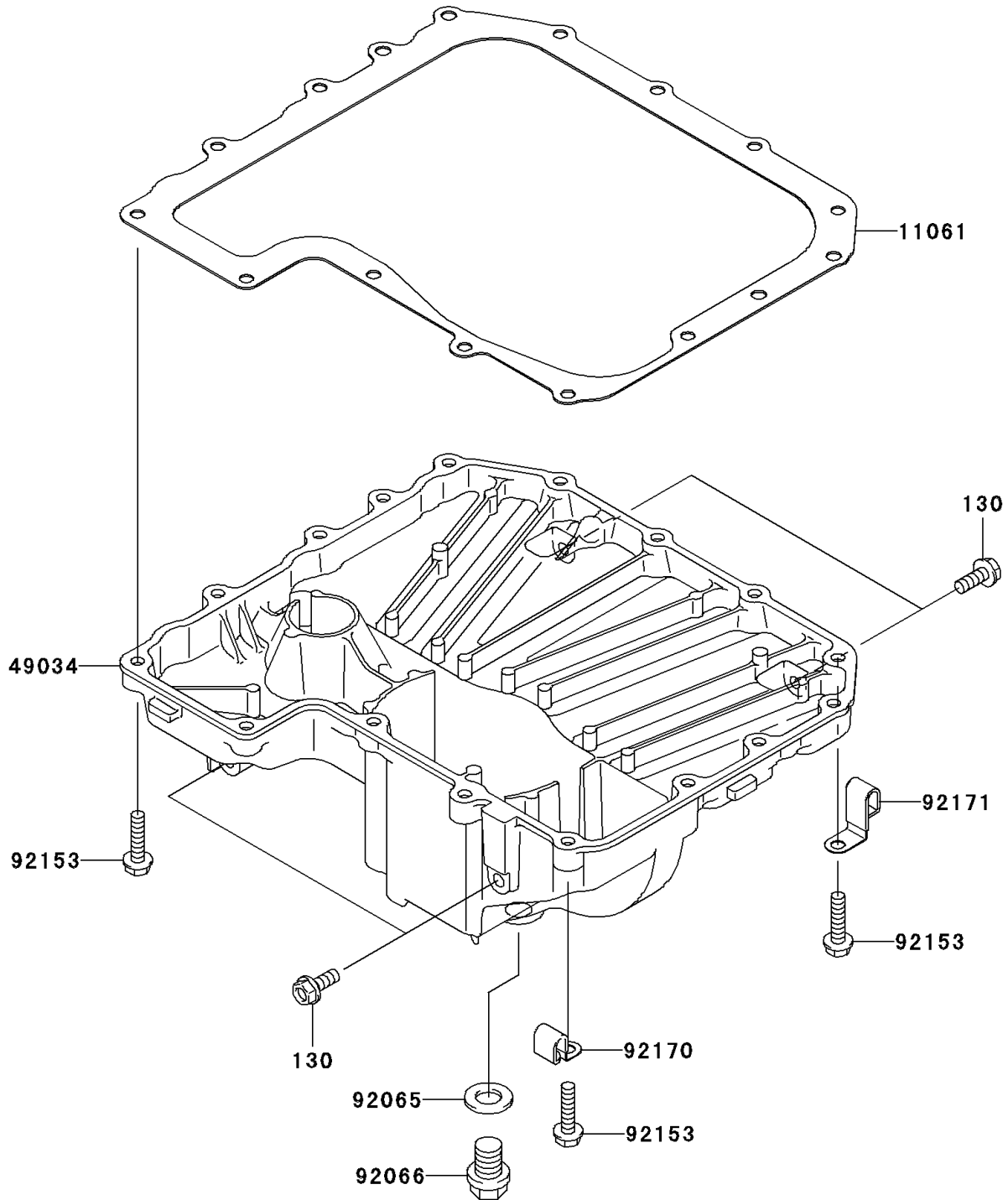


2009 Z750 (European)

PARTS DIAGRAM

Oil Pan

E1434



2009 Z750 (European)

PARTS LIST

Oil Pan

ITEM NAME

PART NUMBER

QUANTITY
